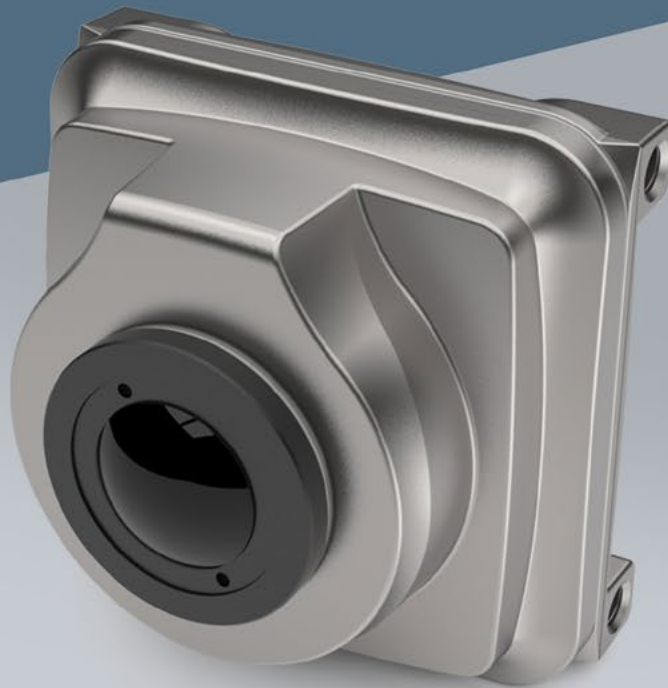

Image quality in the 4th dimension

The next generation digital
camera

LIEBHERR

Components
Electronics



Technical data



Image/video

Image resolution width x height	up to 1,920 x 1,080 px, 2.07 Mpx
Field of view	HFOV: 105°, 125°, 150°
Frame rate	up to 30 fps
Exposure method	Rolling shutter



Interfaces/protocols

Interface	Ethernet 100BASE-TX
Video stream	RTP over UDP
Video format	H.264
Stream control	RTSP, Liebherr Control Commands
Configuration	Liebherr Control Commands
Diagnostics and firmware update	UDS



Operating conditions

Operating voltage	8 V to 32 V
Power consumption	1,9 W (heating off) / 5,8 W (heating on)
Operating temperature	-40 °C to +85 °C
Degree of protection	IP6K7, IP6K9K



Housing

Material	Zinc die cast
Connector	M12 8 pin A-coded
Dimensions in mm (W/H/D)	50 x 50 x 49

Liebherr-Components AG
Brown Boveri Strasse 7
5400 Baden, Switzerland
+41 56 296 43 00
components@liebherr.com
www.liebherr.com/mdc4

Subject to change
LED-EL-12784414-BR031_07_01-11.23_enGB