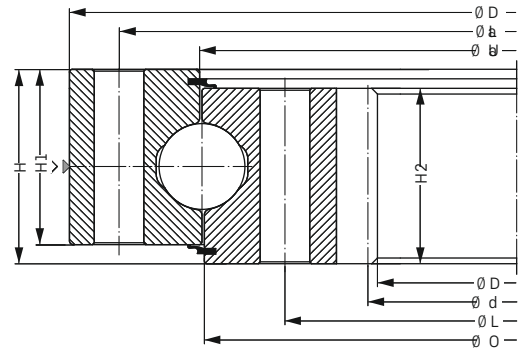
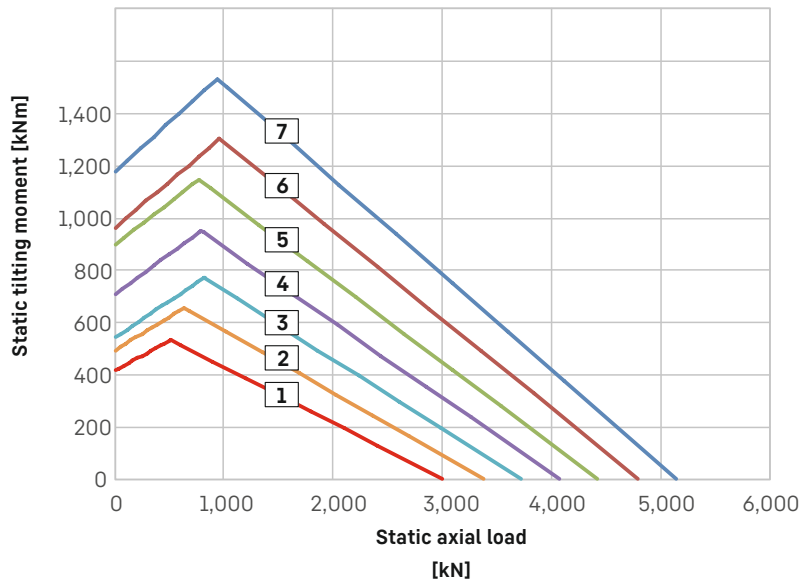


Technical data standard range

Ball bearing with internal gearing



- 1 KUD00855-025VJ15-900-000
- 2 KUD00955-025VJ15-900-000
- 3 KUD01055-025VJ15-900-000
- 4 KUD01155-025VJ15-900-000
- 5 KUD01255-025VJ15-900-000
- 6 KUD01355-025VJ15-900-000
- 7 KUD01455-025VJ15-900-000

Bearing type	Bearing data								Bolt data					Gear data						Load rating			
	Weight	Outer diameter	Inner diameter	Total height	Outer diameter Inner ring	Inner diameter Outer ring	Height Outer ring	Height Inner ring	Pitch circle diameter Outer ring	Pitch circle diameter Inner ring	Number of bores per ring	Bolt diameter	Number of grease nipples per level	Pitch circle diameter	Module (metric)	Number of teeth	Profile shift	Tip reduction	Tooth width	Tooth forces (standard)	Tooth forces (maximum)	static	dynamic
	Da	Di	H	O	U	H1	H2	La	Li	n	M	n1	d	m	z	x*m	k*m	b				Cstat	Cdyn
	[kg]	[mm]	[mm]	[mm]	[mm]	[mm]	[mm]	[mm]	[mm]	[mm]		[mm]		[mm]	[mm]		[mm]	[mm]	[mm]	[kN]	[kN]	[kN]	[kN]
1	133	955	710	80	855	855	54	71	915	794	28	20	4	730	10	-73	-	-	71	38.46	76.92	3,004	423
2	150	1,055	810	80	955	955	54	71	1,015	894	30	20	6	830	10	-83	-	-	71	38.46	76.92	3,383	443
3	166	1,155	910	80	1,055	1,055	54	71	1,115	994	30	20	6	930	10	-93	-	-	71	38.46	76.92	3,731	459
4	183	1,255	1,010	80	1,155	1,155	54	71	1,215	1,094	36	20	6	1,030	10	-103	-	-	71	38.46	76.92	4,079	474
5	198	1,355	1,110	80	1,255	1,255	54	71	1,315	1,194	42	20	6	1,130	10	-113	-	-	71	38.46	76.92	4,427	489
6	215	1,455	1,210	80	1,355	1,355	54	71	1,415	1,294	42	20	6	1,230	10	-123	-	-	71	38.46	76.92	4,806	505
7	229	1,555	1,310	80	1,455	1,455	54	71	1,515	1,394	48	20	6	1,330	10	-133	-	-	71	38.46	76.92	5,154	518



Have you already found the right slewing bearing – or are you still looking? Simply contact us, we will help you quickly and easily: components@liebherr.com