
L 550 – L 586 XPower®

LIEBHERR

Wheel loaders



Generation
6

Tipping load
12,500 kg – 21,600 kg

Diesel engine
Stage V
Stage IV – only for
select markets

Performance

More power, greater productivity – increased performance through an innovative travel drive

Economy

Efficient performance guaranteed – low costs with high turnover rate

Reliability

A reliable partner – robust and durable machines

Comfort

Sophisticated design – when technology combines comfort and safety

Maintainability

Savings in both time and costs – thanks to quick and simple maintenance



L 550 XPower®

Tipping load, articulated
12,500 kg
Bucket capacity
3.4 m³
Operating weight
18,550 kg
Engine output
163 kW / 222 HP

L 556 XPower®

Tipping load, articulated
13,750 kg
Bucket capacity
3.7 m³
Operating weight
19,600 kg
Engine output
183 kW / 249 HP



L 566 XPower®

Tipping load, articulated
15,900 kg
Bucket capacity
4.2 m³
Operating weight
23,900 kg
Engine output
203 kW / 276 HP

L 576 XPower®

Tipping load, articulated
17,600 kg
Bucket capacity
4.7 m³
Operating weight
25,700 kg
Engine output
218 kW / 296 HP

L 580 XPower®

Tipping load, articulated
19,200 kg
Bucket capacity
5.2 m³
Operating weight
27,650 kg
Engine output
233 kW / 317 HP

L 586 XPower®

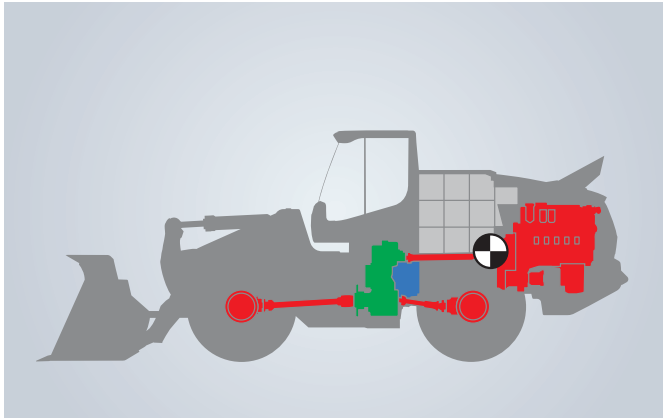
Tipping load, articulated
21,600 kg
Bucket capacity
6.0 m³
Operating weight
32,600 kg
Engine output
263 kW / 358 HP

Performance



More power, greater productivity – increased performance through an innovative travel drive

The innovative Liebherr-XPower travel drive combines the best features of two types of drive into a unique machine concept. Faster work cycles, high tipping loads, and increased machine availability result in significant handling capacity.



Powerful machine concept

- The drive components installed in the rear of the wheel loader act as a natural counterweight and are part of the sophisticated ballast concept
- Ideal weight distribution results in higher tipping loads and therefore greater productivity
- Balanced operating mass increases efficiency and saves fuel
- Strong designs and robust steel parts ensure a reliable and powerful machine



Maximum performance

- Liebherr-XPower travel drive combines hydrostatic and mechanical drives
- Interaction of the two drive types is automatically and continuously adapted to the respective operation
- XPower® offers the highest efficiency in material pick-up and transport as well as optimum acceleration and maximum performance in all loading cycles



Lift arm variations operationally optimised

- Standard z-bar kinematics provide high torque in the lower lift arm range
- Particularly suitable for conventional wheel loader operations due to quick and easy filling of the bucket
- Industrial lift arms (for L 550 - L 566 / L 580) scores with parallel movement and offer particularly high torque in the upper lift arm range
- Particularly suitable for industrial use, large working attachments, and heavier loads



Great versatility for the optimum handling of material

- Due to the diverse selection of factory-made working attachments the right tool is always available
- The robust bucket design enables the bucket to be filled fast and efficiently
- Excellent bucket penetration and easy bucket filling result in lower fuel consumption
- Modular bucket design for L 550 and L 556 G6.2 allows individual configuration, suitable for every application

Economy



Efficient performance guaranteed – low costs with high turnover rate

Power, speed, and durability combined with innovative technology result in an optimum machine design that makes a reliable contribution to cost-effective success. The efficient Liebherr-XPower travel drive and the robust components reduce operating costs in a sustainable way.



Maximum productivity with minimum fuel consumption

- Liebherr power efficiency (LPE) optimises the interaction between the diesel engine, transmission, and working hydraulics for maximum efficiency
- Liebherr-XPower travel drive with LPE provides enormous fuel savings
- At the highest efficiency, operating costs are reduced, and profitability is increased



Minimum wear due to intelligent machine concept

- Virtually no brake wear due to the hydraulic-mechanical braking action
- Continuous tractive force control combined with automatic self-locking differentials prevents wheel spin, thereby increasing productivity and significantly reducing tyre wear



Efficient management with LiDAT

- Liebherr's own data transmission and positioning system
- Optimal management, monitoring and control of the entire fleet in terms of machine data acquisition, data analysis, fleet management and service
- Evaluations of machine use and fuel consumption ensure the machines are managed cost-effectively
- Standard availability of LiDAT incl. 1st year of free use



LIKUFIX

- Optional available, hydraulic quick coupler with integrated automatic hydraulic coupling system
- Hydraulic working tools changed within seconds directly from the cab
- Change is fully automatic, safe and leak-free
- Time savings thanks to greater convenience lead to increased performance, saving time and money

Reliability



A reliable partner – robust and durable machines

Tried and tested over decades with proven excellence – the specially developed components of Liebherr wheel loaders demonstrate their sophisticated technology and durability. The high degree of quality offers maximum reliability and availability even under the toughest operating conditions.



High performance and long-lasting components

- Decades of experience in the development, design and production of individual components is reflected in their robustness and durability
- Elements are ideally matched for maximum performance
- High Liebherr quality standards ensure reliability even under the toughest operating conditions



Working without interruption

- Diesel oxidation catalysts (DOC) and diesel particulate filters (DPF) as well as selective catalytic reduction (SCR) are installed for exhaust gas treatment, and lower pollutant emissions
- The diesel particulate filter can be unblocked during operation via active regeneration, thus enabling an uninterrupted work process
- Long intervals between regenerations increase productivity, save fuel, and reduce operating costs



Reliable Liebherr drive design

- Variable distribution of forces between the hydrostatic and mechanical drives result in less stress on each of the drive paths
- Long service life and reliable use of the machine thanks to Liebherr-XPower travel drive



Optimal cooling capacity

- The radiator is installed behind the operator's cab – the cleanest place on the wheel loader
- Demand-controlled cooling via thermostatic control for reliable operation
- High machine availability due to less radiator contamination
- The optional equipments such as the reversible fan drive, lint filter for the radiator, and the coarse-mesh radiator, additionally protect the cooling system from contamination

Comfort



Sophisticated design – when technology combines comfort and safety

A feel-good cab – the modern cab design is optimally adapted to the day-to-day needs of the operators. The spacious and ergonomically designed operator's cab provides the perfect conditions for comfortable and productive working and can be individually adjusted to the operator.



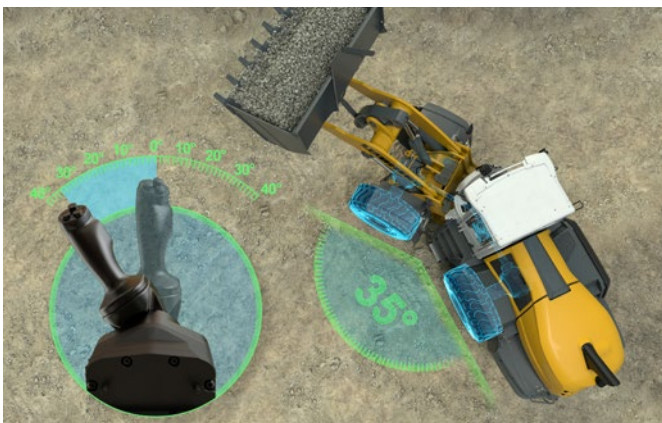
Modern cab design for greater productivity

- Modern ergonomic cab design enables focused working with less fatigue
- Displays, control elements and operator's seat are perfectly aligned with one another to form an ergonomic unit
- For the operator, the individual adjustment options on the operator's seat and the steering wheel create a comfortable work atmosphere with plenty of legroom
- Numerous storage compartments provide lots of space in the cab on all sides



Keep an eye on everything – for hazard-free work

- The extensive use of glass in the operator's cab provides excellent all-round visibility of the working attachment and operating area
- The engine bonnet was designed with optimised visibility in mind and this together with the integrated reversing camera ensure an excellent overview and thus provide greater safety
- Height-adjustable 9" touch screen display provides all operating-relevant machine data at a glance



Innovative joystick steering

- Optional joystick steering is integrated into the operator's seat for ergonomic and comfortable operation
- Intuitive operating behaviour resembles that of a steering wheel
- The alignment of the joystick corresponds to the required wheel loader articulation angle
- Speed-dependent force feedback ensures precise and safe steering behaviour
- "Joystick steering only" enables operation in an operator's cab without a steering wheel and steering column



Assistance systems – increase safety conveniently

- Active personnel detection monitors the rear area of the wheel loader and warns of hazards with a visual and acoustic signal
- Tyre pressure monitoring system transmits tyre pressure values directly to the driver display
- Skyview 360° simplifies monitoring close surroundings of the entire machine on a separate display in the operator's cab
- The weighing device with "Truck Payload Assistant" ensures faster and more accurate loading cycles
- Further assistance systems are available at customer request

Maintainability



Savings in both time and costs – thanks to quick and simple maintenance

Intelligent installation of components, quick and easy access to the engine compartment, and maximum efficiency down to the smallest detail are crucial for effective maintenance work. All installed parts which need to be serviced can be reached safely and quickly. This saves time and costs.



Safe and sophisticated service access

- Electrically rear-opening engine bonnet provides safe and easy access to the entire engine compartment
- All maintenance work can be conveniently performed from a platform in the engine bonnet
- Improved access to the front windscreen / cab filter box is provided by the cab access on the right side of the machine



Low maintenance effort due to intelligent construction

- Simple and safe maintenance ensures less downtime
- Less contamination of the radiator due to its intelligent position directly behind the operator's cab
- The most important fill levels can be seen in the entry area



Increased efficiency down to the smallest detail

- Non-slip treads and sturdy handrails ensure maximum safety while cleaning
- Quick and easy maintenance shortens downtime, increases productivity, and saves money



Liebherr customer service

- Comprehensive service network provides effective and prompt support
- Fast and reliable service implementation by qualified service specialists

Focus on innovation and safety



Lift arms

Cleverly designed – one wheel loader, two lift arm variants, and numerous application options – while the standard z-bar kinematics ensure high torque in the lower lift arm position, the industrial kinematics provide optimum, parallel movement, and particularly high torque in the upper lift arm position. This means that the XPower® wheel loaders are optimally equipped for any task and can perform the work powerfully and efficiently.

Drive concept

Powerful performance – the Liebherr-XPower travel drive combines the hydrostatic drive for short loading cycles, with the mechanical drive for long distances and inclines. The standard combination of these two drive types offers the highest efficiency in all application areas and results in a lower load on the respective drive path.



Comfort

Intuitive and comfortable – the ergonomically optimised cab design enables comfortable and less tiring work. The large glazed area and the visibility-optimised engine bonnet design provide an unobstructed view in all directions. The joystick steering allows precise and productive work through intuitive and exact control. The optional “joystick steering only” provides an even better view of the lift arms and the working attachment as well as more space in the operator’s cab.

Assistance systems

Intelligent helpers – the innovative assistance systems offer comprehensive solutions to optimise safety and comfort, supporting the operator and therefore increase performance. The simple handling and intuitive operation enable safe, efficient, and therefore more economical machine operation.

Maintenance

Safer service – the unique installation position of the components results in excellent maintenance accessibility. Supported by the latest technology, you have safe and easy access to the entire engine compartment. Short downtimes and fast maintenance work lead to greater productivity and a higher profitability of the machine.

Technical data



Diesel engine

	L 550	L 556
Diesel engine	D934 A7	D944 A7
Design	Water-cooled in-series engine with charge-air cooling	
Cylinder inline	4	
Fuel injection process	Electronic Common Rail high-pressure injection	
Output to	kW / HP	160 / 218
ISO 9249 / ECE-R.24	at RPM	1.800
Rated output to		
ISO 14396 / ECE-R.120	kW / HP	163 / 222
Nominal speed	at RPM	1.800
Max. torque to	Nm	1.248
ISO 14396 / ECE-R.120	at RPM	1.100
Displacement	litres	7,014
Bore / Stroke	mm	122 / 150
Stage IV – available only in select markets		
Harmful emissions values	According to regulation ECE-R.96 Power Band Q	
Emission control	litres Liebherr-SCR technology	
Stage V		
Harmful emissions values	According to regulation (EU) 2016/1628	
Emission control	Liebherr-SCR technology and closed diesel particle filter system	
Air cleaner system		
	Dry type filter with main and safety element, pre-cleaner, service indicator on the Liebherr display	
Electrical system		
Operating voltage	V	24
Capacity	Ah	2 x 140
Alternator	V / A	28 / 140
Starter	V / kW	24 / 7.8



Driveline

Continuous power split XPower® driveline	
Design	Continuous, fully-automatic XPower® driveline. No traction interruptions across the entire speed range. Hydrostatic power split with two axial piston units. Identical driving performance – forwards and in reverse
Filtration	Filter system for driveline, depend on working hydraulics
Control	Driveline is controlled from travel pedal for tractive force and speed setting with integrated inch function. The Liebherr control lever is used to control forward and reverse travel
Travel speed range	0 – 40 km/h forward and reverse, fully-automatic Speed restriction available upon request. Speeds quoted apply with the tyres indicated as standard on loader model.

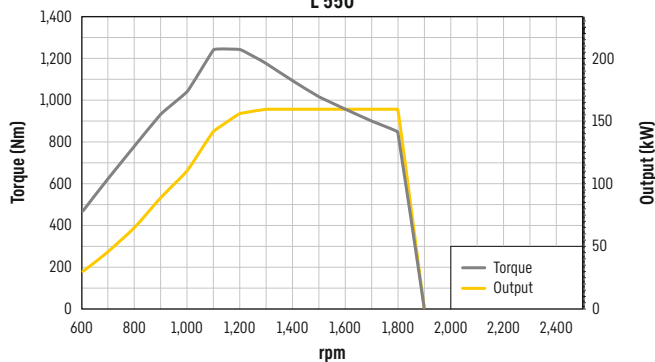


Brakes

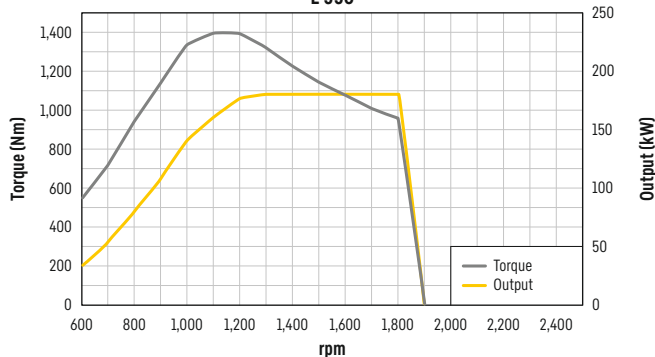
Wear-free service brake	Self-locking of the XPower® driveline (acting on all four wheels) and additional pump-accumulator brake system with wet multi-disc brakes (two separate brake circuits)
Parking brake	Electro-hydraulically actuated spring-loaded disc brake system on the transmission

The braking system meets the requirements of the ISO 3450.

L 550



L 556



Axles

	L 550	L 556
Four-wheel drive		
Front axle	Fixed	
Rear axle	Centre pivot, with 13° oscillating angle to each side	
Height of obstacles which can be driven over	mm	440
	460	442
	with all four wheels remaining in contact with the ground	
Differentials	Automatic limited-slip differentials	
Reduction gear	Planetary final drive in wheel hubs	
Track width	2,003 mm with all types of tyres	

Steering

Design	"Load-sensing" swash plate type variable flow pump with pressure cut-off and flow control. Central pivot with two double-acting, damped steering cylinders		
Angle of articulation	40° to each side		
Emergency steering	Electro-hydraulic emergency steering system		

Attachment hydraulics

	L 550	L 556
Design	"Load-sensing" swash plate type variable flow pump with output and flow control, and pressure cut-off in the control block	
Cooling	Hydraulic oil cooling using thermostatically controlled fan and oil cooler	
Filtration	Return line filter in the hydraulic reservoir	
Control	Liebherr control lever, electro-hydraulically operated	
Lifting function	Lifting, neutral, lowering Automatic lift arm position and lowering by Liebherr control lever Float position controlled by Liebherr control lever	
Tilt function	Tilt back, neutral, dump Automatic bucket return for tilting back and dumping controlled by Liebherr control lever	
Max. flow	l/min.	234
Max. pressure		290
Z-bar linkage	bar	350
Industrial lift arm	bar	380

Attachment

	L 550		L 556	
Geometry variants	Optional			
	Powerful Z-bar linkage with tilt cylinder and cast steel cross-tube Industrial lift arm with tilt cylinder, hydraulic quick hitch as standard			
Bearings	Sealed			
Cycle time at nominal load	ZK	IND	ZK	IND
Lifting	s	5.4	5.4	5.4
Dumping	s	1.0	2.2	1.0
Lowering (empty)	s	2.9	2.9	2.9

Operator's cab

Design	Hydraulically mounted, noise-proof cab ROPS roll over protection per EN ISO 3471 / EN 474-1 FOPS falling objects protection per EN ISO 3449 / EN 474-1, Cat. II Operator's door with sliding side window, sliding side window on right, front windscreen made of compound safety glass, side panels with single-pane safety glass ESG, heated rear window ESG, all windows are tinted. 3 way continuous adjustable steering column		
Liebherr operator's seat	6 way adjustable, vibration-damped operator's seat "Comfort" with seat, depth and incline adjustment as standard (air-cushioned with seat heating adjustable to operator's weight), Liebherr control lever mounted into the operator's seat as standard		
Cab heating and ventilation	4-zone air conditioning with new improved cooling output as standard, electrically heated rear window, all filters are easy to access and replaceable		
Vibration emissions			
Vibrations in the hand/arm	m/s ²	≤ 2.5	
Vibrations through the whole body	m/s ²	≤ 0.5	

Sound level

	L 550	L 556
Sound pressure level to ISO 6396		
L _{pA} (inside cab)	dB(A)	68
Sound power level to 2000/14/EC		
L _{WA} (surround noise)	dB(A)	104

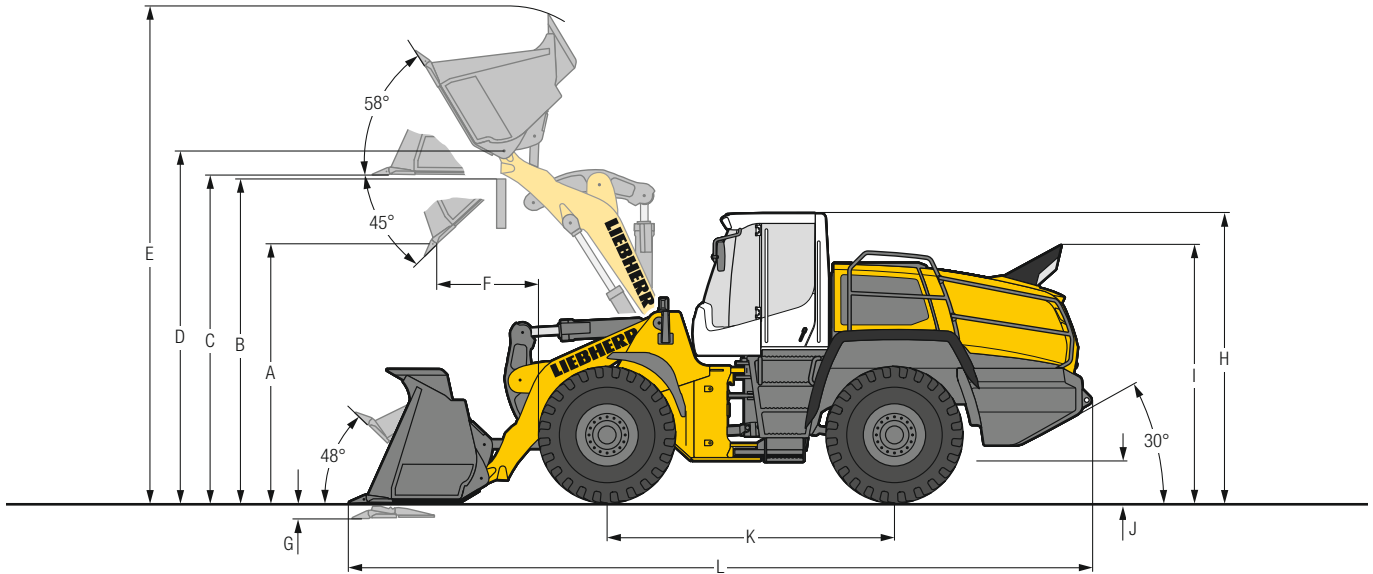
Capacities

	L 550	L 556
Fuel tank	l	280
DEF tank	l	67.5
Engine oil (inclusive filter change)	l	26
Pump distribution gearbox	l	1.2
XPower® gearbox	l	53
Coolant	l	67
Front axle	l	35
Rear axle	l	35
Hydraulic tank	l	105
Hydraulic system, total	l	175
Air conditioning system R134a	g	1,250

Dimensions

Z-bar linkage

L 550 – L 556



Excavation bucket

	L 550				L 556				
	STD	STD	HL	HL	STD	STD	HL	HL	
Geometry	ZK	ZK	ZK	ZK	ZK	ZK	ZK	ZK	
Cutting tools	Z	Z	Z	Z	Z	Z	Z	Z	
Lift arm length	mm	2,700	2,700	3,100	3,100	2,700	2,700	3,100	3,100
Bucket capacity according to ISO 7546 **	m ³	3.4	3.7	2.8	3.1	3.7	4.1	3.1	3.4
Specific material density	t/m ³	1.8	1.6	1.8	1.6	1.8	1.6	1.8	1.6
Bucket width	mm	2,880	2,880	2,880	2,880	2,880	2,880	2,880	2,880
A Dumping height at max. lift height and 45° discharge	mm	3,020	2,970	3,715	3,670	2,970	2,900	3,670	3,575
B Dump-over height	mm	3,700	3,700	4,200	4,200	3,700	3,700	4,200	4,200
C Max. height of bucket bottom	mm	3,875	3,875	4,430	4,430	3,875	3,875	4,430	4,430
D Max. height of bucket pivot point	mm	4,150	4,150	4,700	4,700	4,150	4,150	4,700	4,700
E Max. operating height	mm	5,785	5,855	6,185	6,255	5,855	5,960	6,255	6,340
F Reach at max. lift height and 45° discharge	mm	1,025	1,075	840	890	1,075	1,145	890	945
G Digging depth	mm	80	80	95	95	80	80	95	95
H Height above operator's cab	mm	3,370	3,370	3,370	3,370	3,370	3,370	3,370	3,370
I Height above exhaust	mm	3,020	3,020	3,020	3,020	3,020	3,020	3,020	3,020
J Ground clearance	mm	490	490	490	490	490	490	490	490
K Wheelbase	mm	3,500	3,500	3,500	3,500	3,500	3,500	3,500	3,500
L Overall length	mm	8,555	8,625	9,000	9,070	8,625	8,725	9,070	9,150
Turning circle radius over tyres	mm	6,155	6,155	6,155	6,155	6,155	6,155	6,155	6,155
Turning circle radius over outside bucket edge	kN	6,840	6,860	7,025	7,045	6,860	6,885	7,045	7,070
Breakout force (SAE)	kg	165	155	175	165	175	165	185	175
Tipping load, straight *	kg	14,050	13,950	11,700	11,600	15,600	15,400	13,000	12,900
Tipping load, fully articulated *	kg	12,500	12,400	10,250	10,150	13,750	13,550	11,350	11,250
Operating weight *		18,550	18,650	18,750	18,800	19,600	19,700	19,800	19,850
Tyre size		23,5R25 L3		23,5R25 L3		23,5R25 L3		23,5R25 L3	

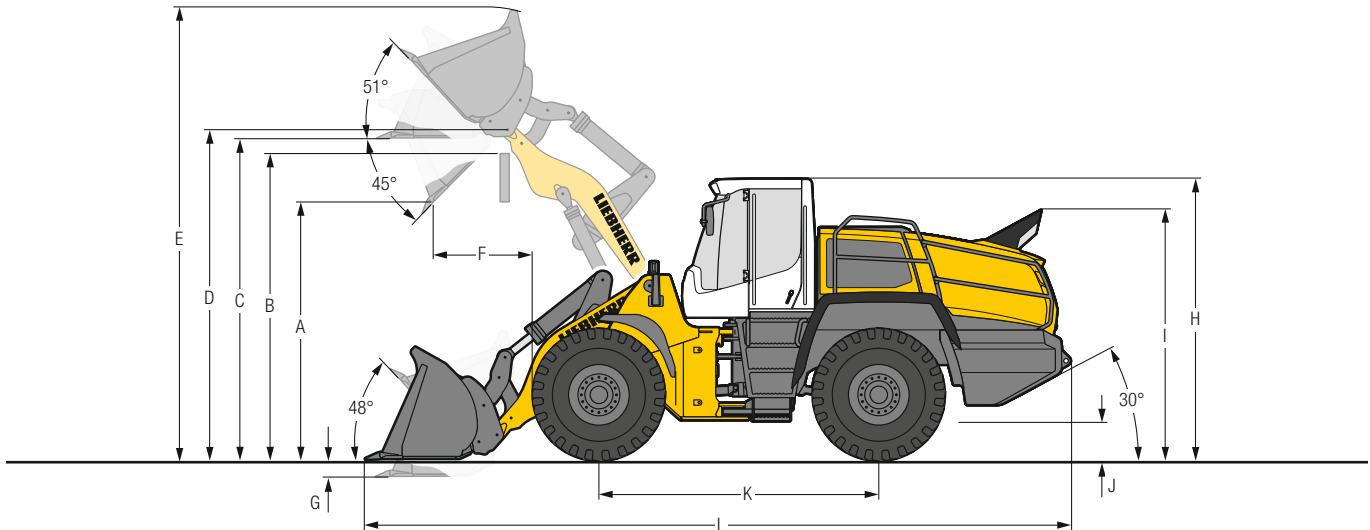
* The figures shown include the above tyres, all lubricants, a full fuel tank, the ROPS / FOPS cab and the operator. Different tyres and optional equipment will change the operating weight and tipping load. (Tipping load, fully articulated according to ISO 14397-1)

** Actual bucket capacity may be approx. 10% larger than the calculation according to ISO 7546 standard. The degree to which the bucket can be filled depends on the material – see page 24.

STD = Standard lift arm length
 HL = High Lift
 ZK = Z-bar linkage
 Z = Welded-on tooth holder with add-on teeth

Dimensions

Industrial lift arm



Excavation bucket

	L 550			L 556		
	STD IND-QH	HL IND-QH	HL IND-QH	STD IND-QH	HL IND-QH	HL IND-QH
Geometry						
Cutting tools	T	T	T	T	T	T
Lift arm length	mm 2,700	3,000	3,000	2,700	3,000	3,000
Bucket capacity according to ISO 7546**	m ³ 3.1	2.6	2.8	3.4	2.8	3.1
Specific material density	t/m ³ 1.8	1.8	1.6	1.8	1.8	1.6
Bucket width	mm 2,880	2,880	2,880	2,880	2,880	2,880
A Dumping height at max. lift height and 45° discharge	mm 2,920	3,525	3,490	2,870	3,490	3,440
B Dump-over height	mm 3,700	4,100	4,100	3,700	4,100	4,100
C Max. height of bucket bottom	mm 3,865	4,385	4,385	3,865	4,385	4,385
D Max. height of bucket pivot point	mm 4,145	4,665	4,665	4,145	4,665	4,665
E Max. operating height	mm 5,845	6,240	6,290	5,925	6,290	6,365
F Reach at max. lift height and 45° discharge	mm 1,150	835	870	1,210	870	920
G Digging depth	mm 100	100	100	100	100	100
H Height above operator's cab	mm 3,370	3,370	3,370	3,370	3,370	3,370
I Height above exhaust	mm 3,020	3,020	3,020	3,020	3,020	3,020
J Ground clearance	mm 490	490	490	490	490	490
K Wheelbase	mm 3,500	3,500	3,500	3,500	3,500	3,500
L Overall length	mm 8,785	9,025	9,075	8,865	9,075	9,145
Turning circle radius over tyres	mm 6,155	6,155	6,155	6,155	6,155	6,155
Turning circle radius over outside bucket edge	kN 6,875	6,980	7,000	6,895	7,000	7,020
Breakout force (SAE)	kg 140	150	145	155	175	165
Tipping load, straight*	kg 12,900	11,200	11,100	14,300	12,400	12,300
Tipping load, fully articulated*	kg 11,400	9,800	9,700	12,500	10,800	10,700
Operating weight*	19,200	19,300	19,350	20,200	20,300	20,350
Tyre size	23.5R25 L3			23.5R25 L3		

* The figures shown include the above tyres, all lubricants, a full fuel tank, the ROPS/FOPS cab and the operator. Different tyres and optional equipment will change the operating weight and tipping load. (Tipping load, fully articulated according to ISO 14397-1)

** Actual bucket capacity may be approx. 10% larger than the calculation according to ISO 7546 standard. The degree to which the bucket can be filled depends on the material – see page 24.

STD = Standard lift arm length

HL = High Lift

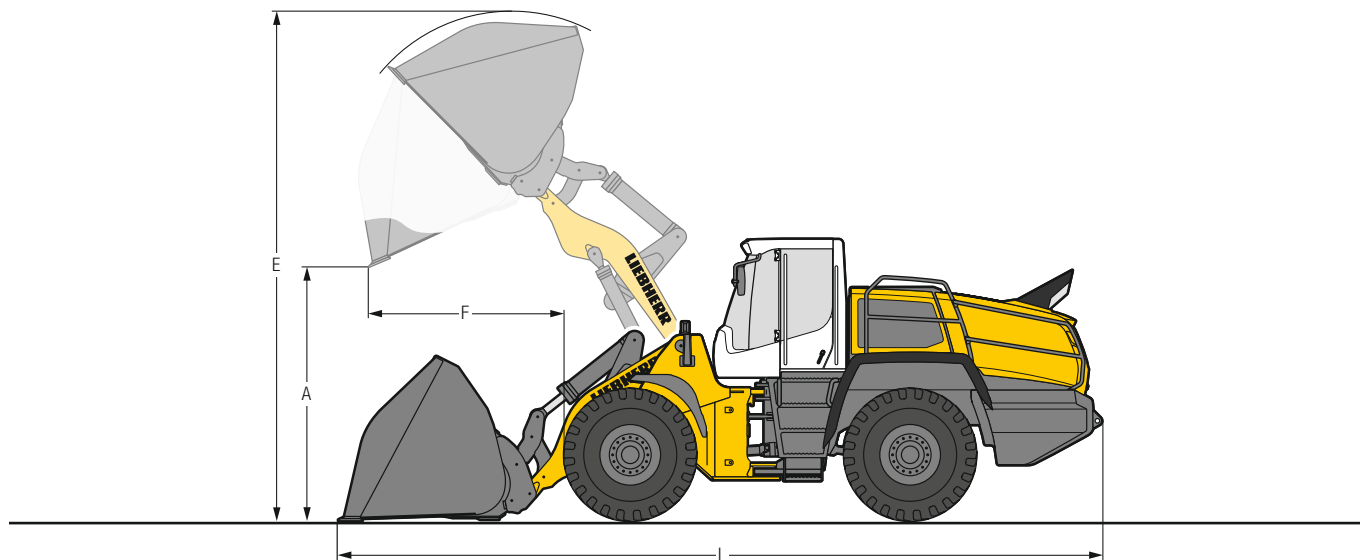
IND-QH = Industrial lift arm with parallel guidance incl. quick hitch

T = Welded-on tooth holder with add-on teeth

Attachment

Light material bucket

L 550 – L 556



Heavy material density

	L 550		L 556	
	STD	HL	STD	HL
Geometry	IND-QH	IND-QH	IND-QH	IND-QH
Cutting tools	BOCE	BOCE	BOCE	BOCE
Bucket capacity	m ³ 5.0	4.5	5.5	5.0
Specific material density	t/m ³ 1.0	1.0	1.0	1.0
Bucket width	mm 2,950	2,950	2,950	2,950
A Dumping height at max. lift height	mm 2,630	3,190	2,530	3,145
E Max. operating height	mm 5,975	6,560	6,040	6,490
F Reach at maximum lift height	mm 1,420	1,120	1,500	1,185
L Overall length	mm 8,970	9,245	9,105	9,330
Tipping load, straight*	kg 12,200	10,600	13,600	11,800
Tipping load, fully articulated*	kg 10,600	9,200	11,700	10,200
Operating weight*	kg 19,500	19,600	20,500	20,600
Tyre size	23.5R25 L3		23.5R25 L3	



Light material density

	L 550		L 556	
	STD	HL	STD	HL
Geometry	IND-QH	IND-QH	IND-QH	IND-QH
Cutting tools	BOCE	BOCE	BOCE	BOCE
Bucket capacity	m ³ 9.5	8.5	10.0	9.0
Specific material density	t/m ³ 0.5	0.5	0.5	0.5
Bucket width	mm 3,400	3,400	3,400	3,400
A Dumping height at max. lift height	mm 2,320	2,910	2,300	2,870
E Max. operating height	mm 6,240	6,730	6,245	6,760
F Reach at maximum lift height	mm 1,740	1,435	1,740	1,475
L Overall length	mm 9,415	9,670	9,435	9,730
Tipping load, straight*	kg 11,900	10,200	13,300	11,300
Tipping load, fully articulated*	kg 10,200	8,800	11,500	9,700
Operating weight*	kg 20,100	20,200	21,100	21,200
Tyre size	23.5R25 L3		23.5R25 L3	

* The figures shown include the above tyres, all lubricants, a full fuel tank, the ROPS/FOPS cab and the operator. Different tyres and optional equipment will change the operating weight and tipping load. (Tipping load, fully articulated according to ISO 14397-1)

STD = Standard lift arm length

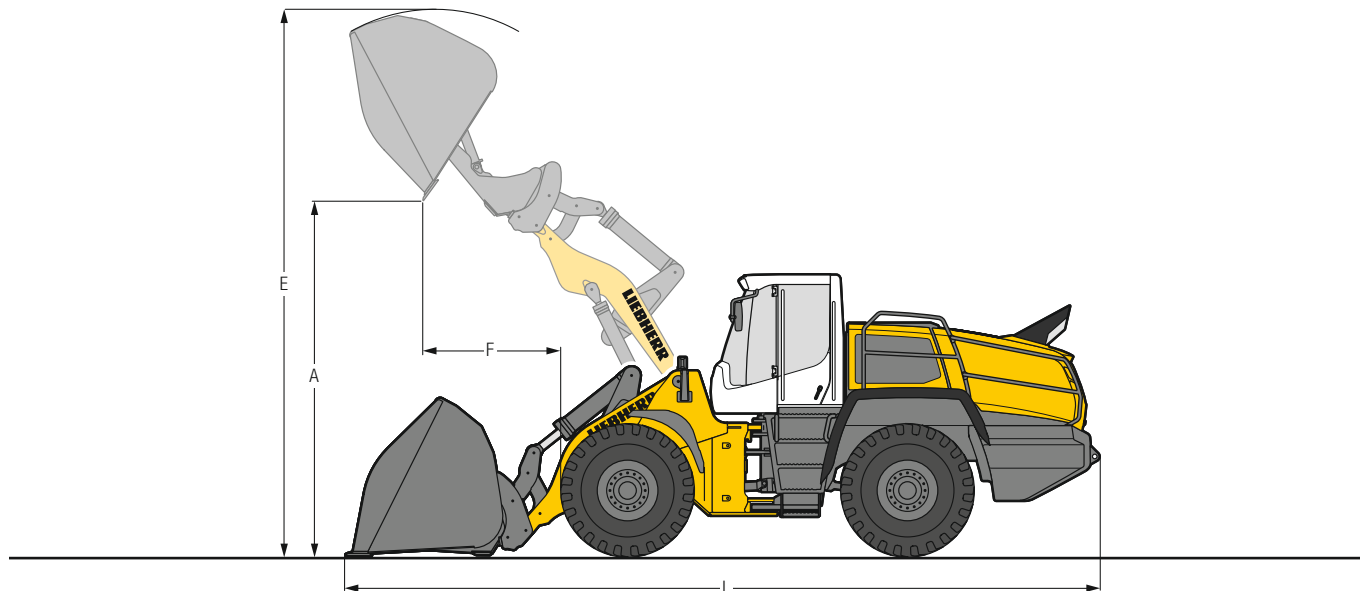
HL = High Lift

IND-QH = Industrial lift arm with parallel guidance incl. quick hitch

BOCE = Bolt-on cutting edge

Attachment

High-Dump bucket



Heavy material density

	L 550		L 556	
	STD	HL	STD	HL
Geometry	IND-QH	IND-QH	IND-QH	IND-QH
Cutting tools	BOCE	BOCE	BOCE	BOCE
Bucket capacity	m ³ 4.5	4.0	5.0	4.5
Specific material density	t/m ³ 1.0	1.0	1.0	1.0
Bucket width	mm 2,700	2,700	2,700	2,700
A Dumping height at max. lift height	mm 4,645	5,235	4,570	5,190
E Max. operating height	mm 6,865	7,360	6,920	7,400
F Reach at maximum lift height	mm 1,685	1,400	1,750	1,445
L Overall length	mm 9,250	9,545	9,350	9,610
Tipping load, straight*	kg 11,900	10,100	13,600	11,300
Tipping load, fully articulated*	kg 10,300	8,700	11,800	9,600
Operating weight*	kg 19,900	20,000	20,400	21,000
Tyre size	23.5R25 L3		23.5R25 L3	



Light material density

	L 550		L 556	
	STD	HL	STD	HL
Geometry	IND-QH	IND-QH	IND-QH	IND-QH
Cutting tools	BOCE	BOCE	BOCE	BOCE
Bucket capacity	m ³ 9.0	8.0	9.5	8.5
Specific material density	t/m ³ 0.5	0.5	0.5	0.5
Bucket width	mm 3,400	3,400	3,400	3,400
A Dumping height at max. lift height	mm 4,335	4,955	4,290	4,895
E Max. operating height	mm 7,090	7,505	7,135	7,560
F Reach at maximum lift height	mm 1,720	1,420	1,760	1,470
L Overall length	mm 9,410	9,670	9,470	9,750
Tipping load, straight*	kg 11,400	9,700	12,800	10,900
Tipping load, fully articulated*	kg 9,800	8,300	11,000	9,300
Operating weight*	kg 20,500	20,600	21,500	21,600
Tyre size	23.5R25 L3		23.5R25 L3	

* The figures shown include the above tyres, all lubricants, a full fuel tank, the ROPS/FOPS cab and the operator. Different tyres and optional equipment will change the operating weight and tipping load. (Tipping load, fully articulated according to ISO 14397-1)

STD = Standard lift arm length

HL = High Lift

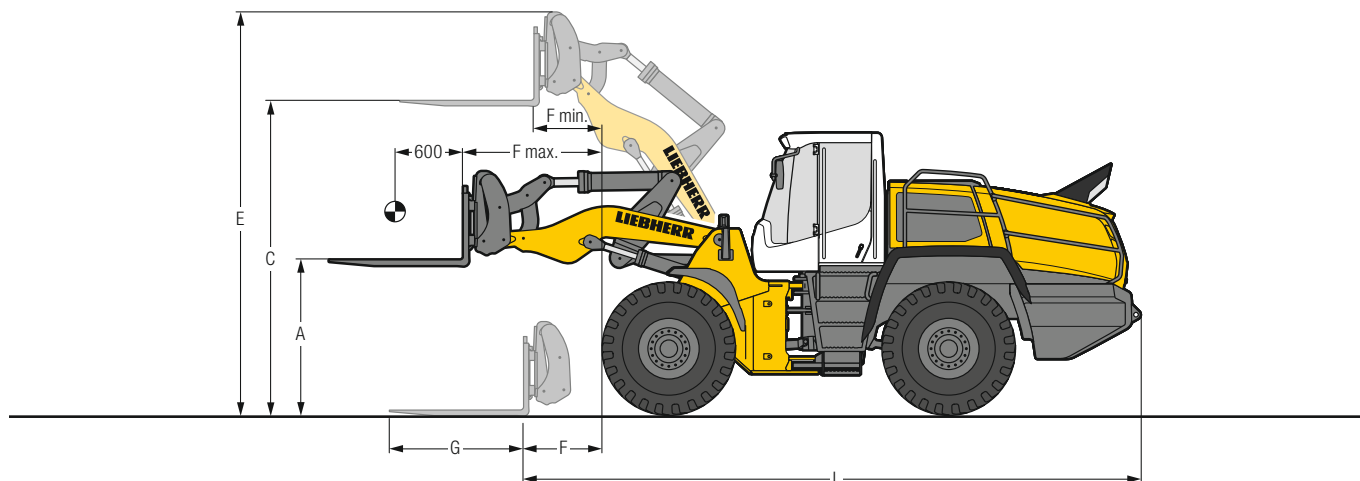
IND-QH = Industrial lift arm with parallel guidance incl. quick hitch

BOCE = Bolt-on cutting edge

Attachment

Fork carrier and fork

L 550 – L 556



FEM IV fork carrier and fork

		L 550	L 556
Geometry		IND-QH	IND-QH
A	Lifting height at max. reach	mm	1,805
C	Max. lifting height	mm	3,905
E	Max. operating height	mm	4,895
F	Reach at loading position	mm	1,080
F max.	Max. reach	mm	1,710
F min.	Reach at max. lifting height	mm	715
G	Fork length	mm	1,500
L	Length – basic machine	mm	7,570
	Tipping load, straight*	kg	10,940
	Tipping load, fully articulated*	kg	9,630
	Recommended payload for uneven ground = 60% of tipping load, articulated ¹⁾	kg	5,780
	Recommended payload for smooth surfaces = 80% of tipping load, articulated ¹⁾	kg	7,710
	Operating weight*	kg	18,500
	Tyre size	23.5R25 L3	23.5R25 L3

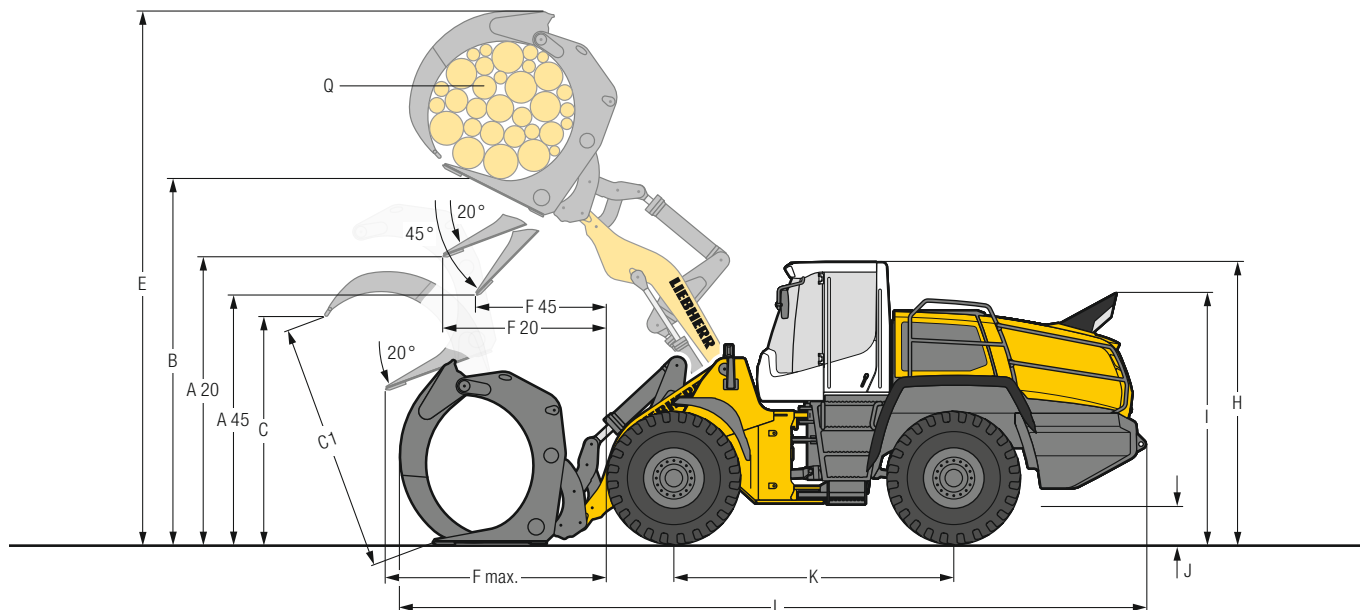
* The figures shown include the above tyres, all lubricants, a full fuel tank, the ROPS / FOPS cab and the operator. Different tyres and optional equipment will change the operating weight and tipping load.
(Tipping load, fully articulated according to ISO 14397-1)

¹⁾ According to EN 474-3

IND-QH = Industrial lift arm with parallel guidance incl. quick hitch

Attachment

Log grapple



Log grapple

Geometry		L 550		L 556	
		IND-QH	IND-QH	IND-QH	
A20	Discharge height at 20°	mm	3,420	3,350	3,350
A45	Discharge height at 45°	mm	2,940	2,770	2,770
B	Manipulation height	mm	4,550	4,550	4,655
C	Max. grapple opening in loading position	mm	2,395	2,740	2,740
C1	Max. grapple opening	mm	2,590	2,990	2,990
E	Max. height	mm	6,350	6,650	6,650
F20	Reach at max. lifting height at 20° discharge	mm	1,590	1,810	1,810
F45	Reach at max. lifting height at 45° discharge	mm	1,160	1,330	1,330
F max.	Max. reach	mm	2,590	2,810	2,810
H	Height above operator's cab	mm	3,395	3,395	3,395
I	Height above exhaust	mm	3,045	3,045	3,045
J	Ground clearance	mm	490	490	490
K	Wheelbase	mm	3,500	3,500	3,500
L	Overall length	mm	8,800	9,080	9,080
Width over tyres		mm	2,650	2,650	2,650
Q	Grapple diameter	m ²	1.8	2.4	2.4
Grapple width		mm	1,600	1,600	1,600
Payload*		kg	6,300	6,000	6,400
Operating weight*		kg	20,000	20,150	21,000
Tyre size			23.5R25 L4		23.5R25 L4

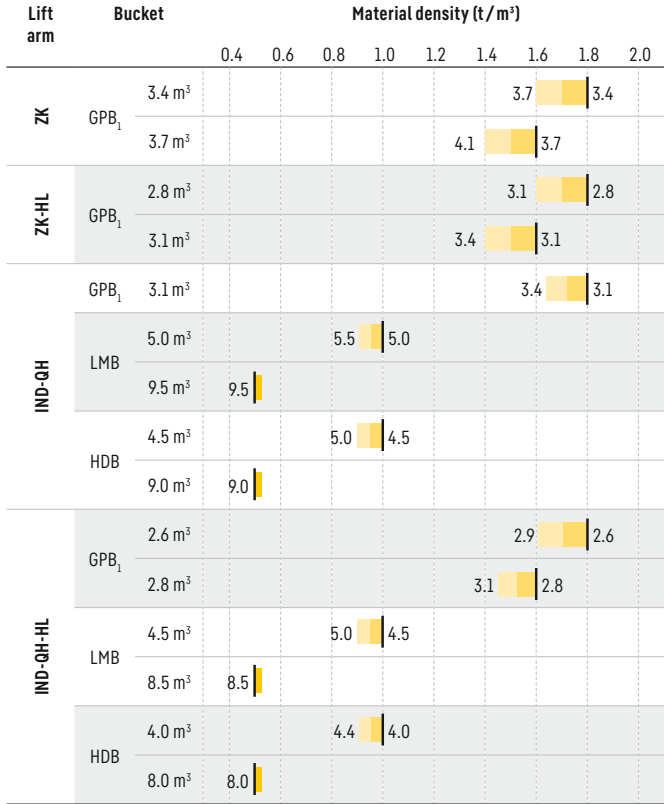
* The figures shown include the above tyres, all lubricants, a full fuel tank, the ROPS / FOPS cab and the operator. Different tyres and optional equipment will change the operating weight and payload.

IND-QH = Industrial lift arm with parallel guidance incl. quick hitch

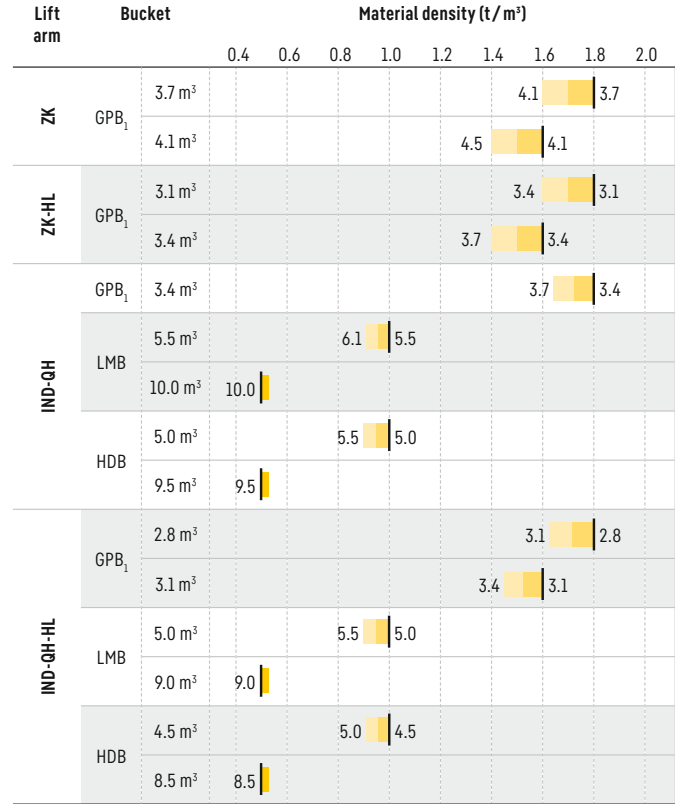
Bucket selection

L 550 - L 556

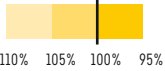
L 550



L 556



Bucket filling factor



Lift arm

ZK	Z-bar linkage, standard lift arm length
ZK-HL	Z-bar linkage, High Lift
IND-QH	Industrial lift arm with quick hitch, standard lift arm length
IND-QH-HL	Industrial lift arm with quick hitch, High Lift

Bucket

GPB ₁	General purpose bucket (Excavation bucket)
LMB	Light material bucket
HDB	High-dump bucket

Bulk material densities and bucket filling factors

		t/m³	%			t/m³	%			t/m³	%
Gravel	moist	1.9	105	Earth	dry	1.3	115	Glass waste	broken	1.4	100
	dry	1.6	105		wet excavated	1.6	110		solid	1.0	100
	crushed stone	1.5	100	Topsoil		1.1	110	Compost	dry	0.8	105
Sand	dry	1.5	105	Basalt		1.95	100	wet	1.0	110	
	wet	1.9	110	Granite		1.8	95	Wood chips / Saw dust		0.5	110
Gravel and Sand	dry	1.7	105	Sandstone		1.6	100	Paper	shredded / loose	0.6	110
	wet	2.0	100	Slate		1.75	100		recovered paper / cardboard	1.0	110
Sand / Clay		1.6	110	Bauxite		1.4	100	Coal	heavy material density	1.2	110
Clay	natural	1.6	110	Limestone		1.6	100	light material density	0.9	110	
	dry	1.4	110	Gypsum	broken	1.8	100	Waste	domestic waste	0.5	100
Clay / Gravel	dry	1.4	110	Coke		0.5	110	bulky waste	1.0	100	
	wet	1.6	100	Slag	broken	1.8	100				

Tyres



Tyre types

	Size and tread code		Change of operating weight kg	Width over tyres mm	Change in vertical dimensions* mm	Use
L 550 XPower® / L 556 XPower®						
Bridgestone	23.5R25 VJT	L3	138	2,670	6	Bulk material (firm ground conditions)
Bridgestone	23.5R25 VLTS	L4	360	2,670	39	Gravel, Industry (firm ground conditions)
Bridgestone	23.5R25 VSDL	L5	898	2,660	65	Stone, Scrap, Recycling (firm ground conditions)
Bridgestone	23.5R25 VSDT	L5	851	2,670	55	Stone, Scrap, Recycling (firm ground conditions)
Bridgestone	750/65R25 VTS	L3	728	2,880	11	Gravel, Industry, Wood (all ground conditions)
Continental	23.5R25 EM-Master	L3	212	2,670	29	Bulk material (firm ground conditions)
Continental	23.5R25 EM-Master	L4	332	2,660	20	Gravel, Industry, Wood (firm ground conditions)
Goodyear	23.5R25 RT-3B	L3	188	2,670	20	Gravel (all ground conditions)
Goodyear	23.5R25 TL-3A+	L3	284	2,670	36	Sand, Gravel, Earthworks, Clay (all ground conditions)
Goodyear	23.5R25 GP-4D	L4	328	2,690	25	Gravel, Industry, Wood (firm ground conditions)
Goodyear	23.5R25 RL-4K	L4	500	2,680	39	Gravel, Industry, Stone (firm ground conditions)
Goodyear	23.5R25 RL-5K	L5	936	2,680	57	Stone, Scrap, Recycling (firm ground conditions)
Goodyear	23.5R25 RL-5S	L5	968	2,680	57	Scrap, Recycling, Slag (firm ground conditions)
Goodyear	23.5R25 RT-5D	L5	820	2,660	55	Stone, Mining spoil (firm ground conditions)
Goodyear	750/65R25 TL-3A+	L3	680	2,910	24	Sand, Gravel, Industry, Wood (all ground conditions)
Michelin	23.5R25 XHA2	L3	0	2,650	0	Sand, Gravel (all ground conditions)
Michelin	23.5R25 XTLA	L2	- 12	2,650	- 4	Gravel, Earthworks, Clay (all ground conditions)
Michelin	23.5R25 X MINE PRO	L5	828	2,700	56	Stone, Scrap, Recycling (firm ground conditions)
Michelin	23.5R25 XLD D2A	L5	612	2,670	26	Stone, Mining spoil (firm ground conditions)
Michelin	650/65R25 XLD65	L3T	- 112	2,690	- 53	Gravel, Industry, Wood (all ground conditions)
Michelin	750/65R25 XLD65	L3T	524	2,870	- 7	Gravel, Industry, Wood (all ground conditions)

* The stated values are theoretical and may deviate in practice.

Before operating the vehicle with tyre foam filling or tyre protection chains, please discuss this with the Liebherr-Werk Bischofshofen GmbH.

Technical data

L 566 – L 586



Diesel engine

	L 566	L 576	L 580	L 586
Diesel engine	D936 A7	D936 A7	D936 A7	D936 A7
Design	Water-cooled in-series engine with charge-air cooling			
Cylinder inline	6	6	6	6
Fuel injection process	Electronic Common Rail high-pressure injection			
Output to	200 / 272	215 / 292	230 / 313	260 / 354
ISO 9249 / ECE-R.24	1,800	1,800	1,800	1,800
Rated output to				
ISO 14396 / ECE-R.120	203 / 276	218 / 296	233 / 317	263 / 358
Nominal speed	1,800	1,800	1,800	1,800
Max. torque to ISO	1,914	1,969	1,969	1,969
14396 / ECE-R.120	1,000	1,000	1,000	1,000
Displacement	10.52	10.52	10.52	10.52
Bore / Stroke	122 / 150	122 / 150	122 / 150	122 / 150
Stage IV – available only in select markets				
Harmful emissions values	According to regulation ECE-R.96 Power Band Q			
Emission control	litres Liebherr-SCR technology			
Stage V				
Harmful emissions values	According to regulation (EU) 2016/1628			
Emission control	Liebherr-SCR technology and closed diesel particle filter system			
Air cleaner system				
	Dry type filter with main and safety element, pre-cleaner, service indicator on the Liebherr display			
Electrical system				
Operating voltage	V 24	24	24	24
Capacity	Ah 2 x 180	2 x 180	2 x 180	2 x 180
Alternator	V/A 28 / 180	28 / 180	28 / 180	28 / 180
Starter	V/kW 24 / 7.8	24 / 7.8	24 / 7.8	24 / 7.8



Driveline

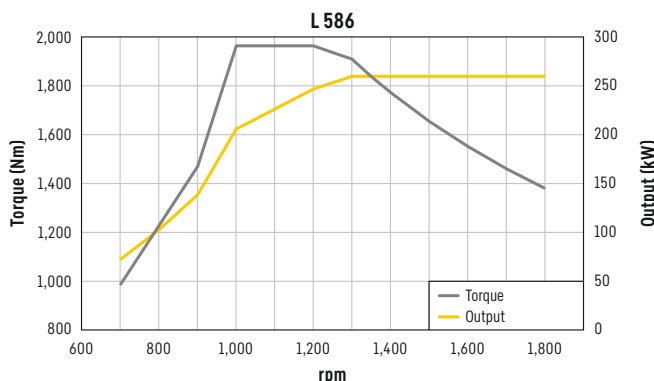
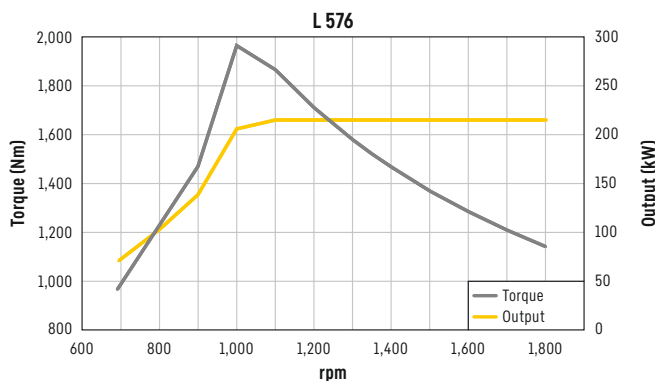
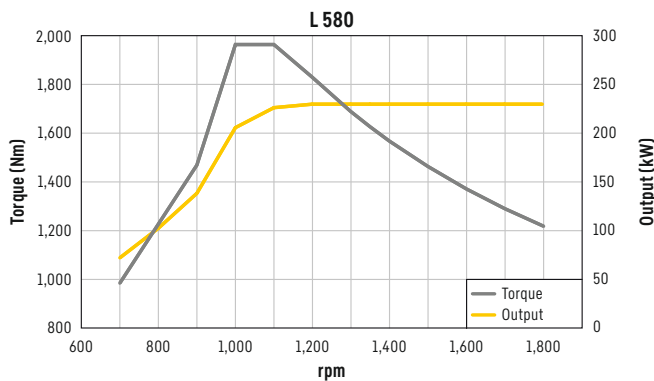
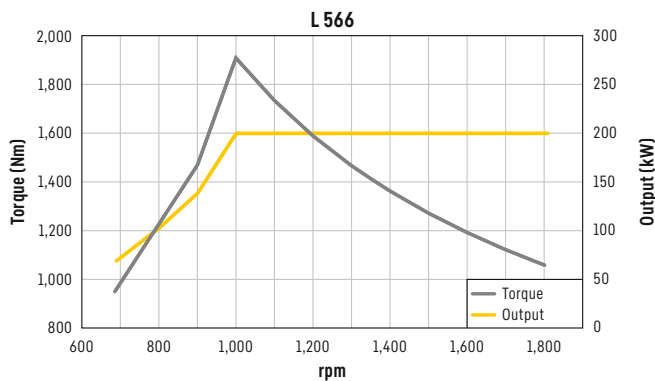
Continuous power split XPower® driveline	
Design	Continuous, fully-automatic XPower® driveline. No traction interruptions across the entire speed range. Hydrostatic power split with two axial piston units. Identical driving performance – forwards and in reverse
Filtration	Filter system for driveline, depend on working hydraulics
Control	Driveline is controlled from travel pedal for tractive force and speed setting with integrated inch function. The Liebherr control lever is used to control forward and reverse travel
Travel speed range	L 566 – L 580: 0 – 40 km/h forward and reverse, fully-automatic. L 586: 0 – 33 km/h forward and reverse, fully-automatic. Speed restriction available upon request. Speeds quoted apply with the tyres indicated as standard on loader model.



Brakes

Wear-free service brake	Self-locking of the XPower® driveline (acting on all four wheels) and additional pump-accumulator brake system with wet multi-disc brakes (two separate brake circuits)
Parking brake	Electro-hydraulically actuated spring-loaded disc brake system on the transmission

The braking system meets the requirements of the ISO 3450.



Axles

	L 566	L 576	L 580	L 586	
Four-wheel drive					
Front axle	Fixed				
Rear axle	Centre pivot, with 13° oscillating angle to each side				
Height of obstacles which can be driven over	mm	492	473	473	523
		with all four wheels remaining in contact with the ground			
Differentials	Automatic limited-slip differentials				
Reduction gear	Planetary final drive in wheel hubs				
Track width	2,230 mm with all types of tyres (L 566, L 576, L 580) 2,440 mm with all types of tyres (L 586)				

Steering

Design	“Load-sensing” swash plate type variable flow pump with pressure cut-off and flow control. Central pivot with two double-acting, damped steering cylinders
Angle of articulation	38° to each side (L 566, L 576, L 580) 37° to each side (L 586)
Emergency steering	Electro-hydraulic emergency steering system

Attachment hydraulics

	L 566	L 576	L 580	L 586	
Design	“Load-sensing” swash plate type variable flow pump with output and flow control, and pressure cut-off in the control block				
Cooling	Hydraulic oil cooling using thermostatically controlled fan and oil cooler				
Filtration	Return line filter in the hydraulic reservoir				
Control	Liebherr control lever, electro-hydraulically operated				
Lifting function	Lifting, neutral, lowering Automatic lift arm position and lowering by Liebherr control lever				
Tilt function	Float position controlled by Liebherr control lever Tilt back, neutral, dump Automatic bucket return for tilting back and dumping controlled by Liebherr control lever				
Max. flow	l/min.	290	290	320	410
Max. pressure					
Z-bar linkage	bar	350	380	380	350
Industrial lift arm	bar	380	380		

Attachment

	L 566	L 576	L 580	L 586			
Geometry variants							
Optional	Powerful Z-bar linkage with tilt cylinder and cast steel cross-tube Industrial lift arm with tilt cylinder, hydraulic quick hitch as standard (L 566, L 580)						
Bearings	Sealed						
Cycle time at nominal load	ZK	IND	ZK	ZK	IND	ZK	
Lifting	s	6.1	6.1	6.1	6.2	6.2	6.4
Dumping	s	1.2	2.0	1.2	1.4	2.2	1.5
Lowering (empty)	s	3.2	3.2	3.2	3.4	3.4	3.6

Operator's cab

Design	Hydraulically mounted, noise-proof cab ROPS roll over protection per EN ISO 3471 / EN 474-1 FOPS falling objects protection per EN ISO 3449 / EN 474-1, Cat. II Operator's door with sliding side window, sliding side window on right, front windscreen made of compound safety glass, side panels with single-pane safety glass ESG, heated rear window ESG, all windows are tinted. 3 way continuous adjustable steering column	
Liebherr operator's seat	6 way adjustable, vibration-damped operator's seat “Comfort” with seat, depth and incline adjustment as standard (air-cushioned with seat heating adjustable to operator's weight), Liebherr control lever mounted into the operator's seat as standard	
Cab heating and ventilation	4-zone air conditioning with new improved cooling output as standard, electrically heated rear window, all filters are easy to access and replaceable	
Vibration emissions		
Vibrations in the hand/arm	m/s ²	≤ 2.5
Vibrations through the whole body	m/s ²	≤ 0.5

Sound level

	L 566	L 576	L 580	L 586	
Sound pressure level to ISO 6396					
L _{PA} (inside cab)	dB(A)	68	68	68	68
Sound power level to 2000/14/EC					
L _{WA} (surround noise)	dB(A)	105	105	105	107

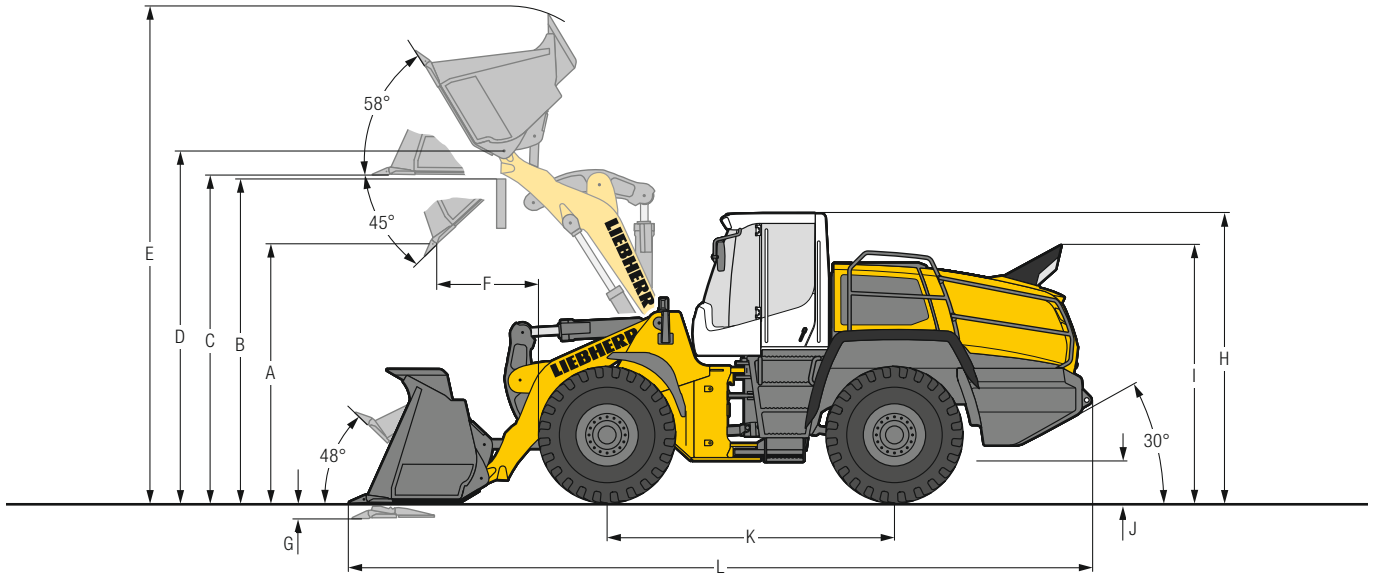
Füllmengen

	L 566	L 576	L 580	L 586	
Fuel tank	l	365	365	365	500
DEF tank	l	67.5	67.5	67.5	67.5
Engine oil (inclusive filter change)	l	42	42	42	42
Pump distribution gearbox	l	1.2	1.2	1.2	1.2
XPower® gearbox	l	55	55	55	55
Coolant	l	73	73	73	73
Front axle	l	42	58	58	60
Rear axle	l	42	42	58	60
Hydraulic tank	l	105	105	105	95
Hydraulic system, total	l	190	190	190	210
Air conditioning system R134a	g	1,250	1,250	1,250	1,250

Dimensions

Z-bar linkage

L 566 – L 586



Loading bucket

	L 566		L 576		L 580			L 586			
	ZK	ZK	ZK	ZK	ZK	ZK	ZK	ZK	ZK	ZK	
Geometry											
Cutting tools	T	T	T	T	T	T	BOCE	T	T	ROB	
Lift arm length	mm	2,920	2,920	3,050	3,050	3,050	3,050	3,050	3,150	3,150	3,150
Bucket		GPB ₁	GPB ₁	GPB ₁	GPB ₁	GPB ₁	GPB ₂	GPB ₂	GPB ₂	GPB ₂	RS
Bucket capacity according to ISO 7546**	m ³	4.2	4.7	4.7	5.2	5.2	5.7	5.7 ¹⁾	6.0	6.5	5.5
Specific material density	t/m ³	1.8	1.6	1.8	1.6	1.8	1.6	1.7	1.8	1.6	1.8
Bucket width	mm	3,000	3,000	3,000	3,000	3,000	3,300	3,300	3,430	3,650	3,400
A Dumping height at max. lift height and 45° discharge	mm	3,205	3,130	3,355	3,285	3,285	3,220	3,220	3,260	3,260	3,290
B Dump-over height	mm	3,900	3,900	4,100	4,100	4,100	4,100	4,100	4,150	4,150	4,150
C Max. height of bucket bottom	mm	4,050	4,050	4,270	4,270	4,270	4,270	4,270	4,330	4,330	4,300
D Max. height of bucket pivot point	mm	4,360	4,360	4,580	4,580	4,580	4,580	4,580	4,640	4,640	4,660
E Max. operating height	mm	6,120	6,220	6,440	6,540	6,540	6,500	6,500	6,530	6,530	6,450
F Reach at max. lift height and 45° discharge	mm	1,190	1,270	1,135	1,205	1,205	1,285	1,285	1,430	1,430	1,390
G Digging depth	mm	100	100	100	100	100	100	100	100	100	140
H Height above operator's cab	mm	3,590	3,590	3,590	3,590	3,590	3,590	3,590	3,740	3,740	3,760
I Height above exhaust	mm	3,200	3,200	3,200	3,200	3,200	3,200	3,200	3,300	3,300	3,320
J Ground clearance	mm	535	535	540	540	465	465	465	575	575	595
K Wheelbase	mm	3,560	3,560	3,630	3,630	3,710	3,710	3,710	3,900	3,900	3,900
L Overall length	mm	9,165	9,275	9,445	9,545	9,620	9,720	9,720	9,980	9,980	9,990
Turning circle radius over tyres	mm	6,690	6,690	6,780	6,780	6,885	6,885	6,885	7,485	7,485	7,545
Turning circle radius over outside bucket edge	mm	7,340	7,370	7,500	7,530	7,615	7,780	7,780	8,350	8,400	8,300
Breakout force (SAE)	kN	200	190	200	190	225	205	200	240	240	245
Tipping load, straight*	kg	18,150	17,900	20,100	19,900	21,750	21,250	22,200	24,500	23,900	25,600
Tipping load, fully articulated*	kg	15,900	15,650	17,600	17,400	19,200	18,700	19,500	21,600	21,000	22,500
Operating weight*	kg	23,900	24,000	25,700	25,800	27,650	27,800	28,800	32,600	33,050	33,700
Tyre size		26.5R25 L3		26.5R25 L3		26.5R25 L3			29.5R25 L3		29.5R25 L5

* The figures shown include the above tyres, all lubricants, a full fuel tank, the ROPS/FOPS cab and the operator. Different tyres and optional equipment will change the operating weight and tipping load. (Tipping load, fully articulated according to ISO 14397-1)

** Actual bucket capacity may be approx. 10% larger than the calculation according to ISO 7546 standard. The degree to which the bucket can be filled depends on the material – see pages 34 / 35.

¹⁾ Toothed buckets, hydraulic quick hitch and additional hydraulic circuits are not approved for rehandling application.

GPB₁ = Excavation bucket with back grading edge for direct mounting

GPB₂ = Rehandling bucket for direct mounting

RB = Rock bucket with oblique base for quarrying applications for direct mounting

ZK = Z-bar linkage

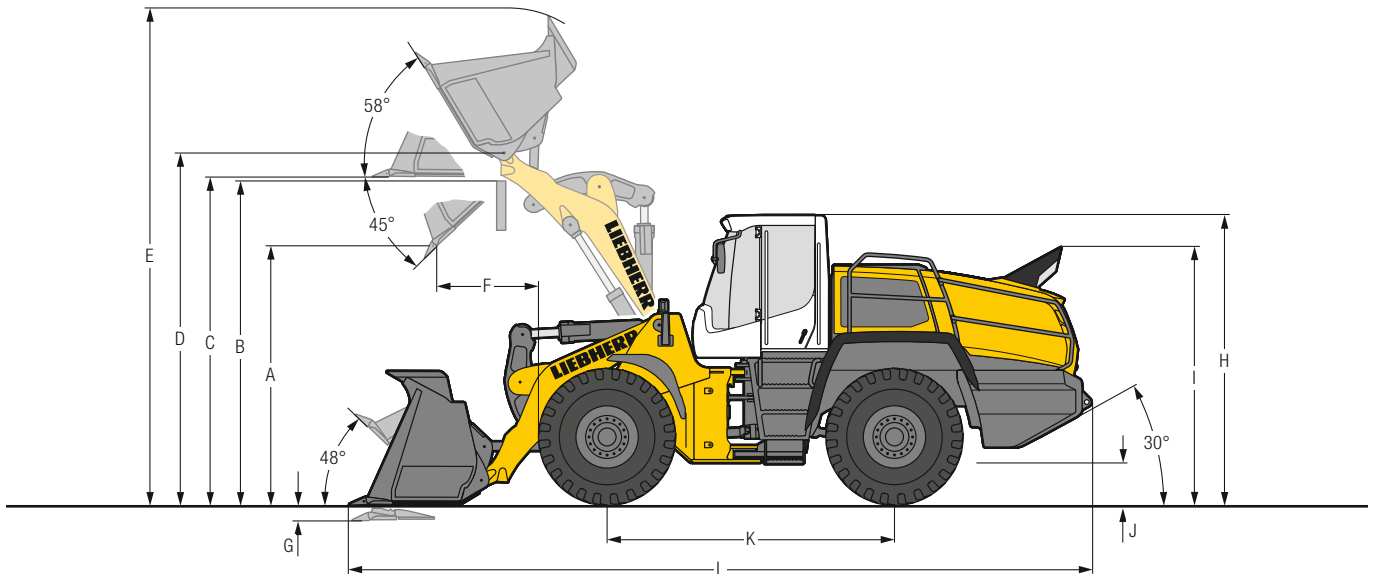
T = Welded-on tooth holder with add-on teeth

BOCE = Bolt-on cutting edge

ROB = Rock bucket with delta cutting edge, welded-on tooth holder with add-on teeth and bolted intermediate sections

Dimensions

Z-bar linkage high lift



L 566 - L 586

Loading bucket

	L 566		L 576		L 580			L 586		
	ZK	ZK	ZK	ZK	ZK	ZK	ZK	ZK	ZK	ZK
Geometry										
Cutting tools	T	T	T	T	T	T	BOCE	T	T	ROB
Lift arm length	mm	3,250	3,250	3,250	3,250	3,250	3,250	3,450	3,450	3,450
Bucket		GPB ₁	GPB ₁	GPB ₁	GPB ₁	GPB ₁	GPB ₂	GPB ₂	GPB ₂	RS
Bucket capacity according to ISO 7546**	m ³	3.7	4.2	4.2	4.7	4.7	5.2 ¹⁾	5.5	6.0	5.0
Specific material density	t/m ³	1.8	1.6	1.8	1.6	1.8	1.6	1.7	1.8	1.6
Bucket width	mm	3,000	3,000	3,000	3,000	3,000	3,000	3,400	3,400	3,400
A Dumping height at max. lift height and 45° discharge	mm	3,720	3,650	3,650	3,575	3,560	3,490	3,425	3,725	3,670
B Dump-over height	mm	4,300	4,300	4,300	4,300	4,300	4,300	4,500	4,500	4,500
C Max. height of bucket bottom	mm	4,470	4,470	4,470	4,470	4,470	4,470	4,750	4,750	4,770
D Max. height of bucket pivot point	mm	4,780	4,780	4,780	4,780	4,780	4,780	5,060	5,060	5,080
E Max. operating height	mm	6,460	6,555	6,555	6,650	6,650	6,740	6,700	6,950	6,980
F Reach at max. lift height and 45° discharge	mm	1,130	1,200	1,130	1,215	1,190	1,265	1,340	1,370	1,410
G Digging depth	mm	140	140	140	140	140	140	100	100	140
H Height above operator's cab	mm	3,590	3,590	3,590	3,590	3,590	3,590	3,740	3,740	3,760
I Height above exhaust	mm	3,200	3,200	3,200	3,200	3,200	3,200	3,300	3,300	3,320
J Ground clearance	mm	535	535	540	540	465	465	465	575	575
K Wheelbase	mm	3,560	3,560	3,630	3,630	3,710	3,710	3,710	3,900	3,900
L Overall length	mm	9,500	9,590	9,590	9,700	9,770	9,870	9,970	10,250	10,280
Turning circle radius over tyres	mm	6,690	6,690	6,780	6,780	6,885	6,885	6,885	7,485	7,485
Turning circle radius over outside bucket edge	mm	7,480	7,510	7,560	7,590	7,680	7,710	7,740	8,500	8,550
Breakout force (SAE)	kN	210	200	210	200	240	225	225	250	240
Tipping load, straight*	kg	15,850	15,650	18,650	18,550	20,200	20,000	20,600	22,400	21,700
Tipping load, fully articulated*	kg	13,850	13,650	16,350	16,250	17,800	17,600	18,200	19,700	19,000
Operating weight*	kg	24,000	24,100	25,650	25,750	27,650	27,750	28,600	32,600	33,000
Tyre size		26.5R25 L3		26.5R25 L3		26.5R25 L3			29.5R25 L3	

* The figures shown include the above tyres, all lubricants, a full fuel tank, the ROPS / FOPS cab and the operator. Different tyres and optional equipment will change the operating weight and tipping load. (Tipping load, fully articulated according to ISO 14397-1)

** Actual bucket capacity may be approx. 10% larger than the calculation according to ISO 7546 standard. The degree to which the bucket can be filled depends on the material - see pages 34 / 35.

¹⁾ Toothed buckets, hydraulic quick hitch and additional hydraulic circuits are not approved for rehandling application.

GPB₁ = Excavation bucket with back grading edge for direct mounting

GPB₂ = Rehandling bucket for direct mounting

RB = Rock bucket with oblique base for quarrying applications for direct mounting

ZK = Z-bar linkage

T = Welded-on tooth holder with add-on teeth

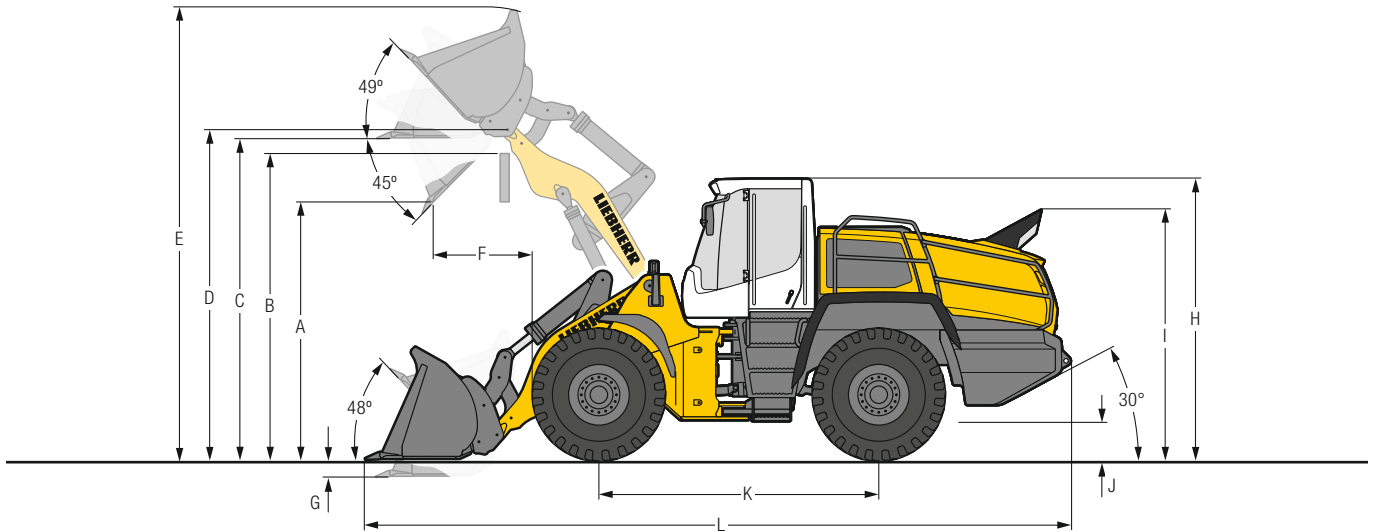
BOCE = Bolt-on cutting edge

ROB = Rock bucket with delta cutting edge, welded-on tooth holder with add-on teeth and bolted intermediate sections

Dimensions

Industrial lift arm

L 566 – L 586



Excavation bucket

	L 566		L 580	
	IND-QH	IND-QH	IND-QH	IND-QH
Geometry				
Cutting tools	T	T	T	T
Lift arm length	mm 2,900	2,900	2,900	2,900
Bucket capacity according to ISO 7546 **	m ³ 3.5	4.0	4.5	5.0
Specific material density	t/m ³ 1.8	1.6	1.8	1.6
Bucket width	mm 3,000	3,000	3,000	3,000
A Dumping height at max. lift height and 45° discharge	mm 3,210	3,140	3,070	3,000
B Dump-over height	mm 3,900	3,900	3,900	3,900
C Max. height of bucket bottom	mm 4,145	4,145	4,145	4,145
D Max. height of bucket pivot point	mm 4,490	4,490	4,490	4,490
E Max. operating height	mm 6,045	6,165	6,265	6,330
F Reach at max. lift height and 45° discharge	mm 1,270	1,340	1,290	1,230
G Digging depth	mm 100	100	100	100
H Height above operator's cab	mm 3,590	3,590	3,590	3,590
I Height above exhaust	mm 3,200	3,200	3,200	3,200
J Ground clearance	mm 535	535	465	465
K Wheelbase	mm 3,630	3,630	3,710	3,710
L Overall length	mm 9,270	9,370	9,545	9,650
Turning circle radius over tyres	mm 6,780	6,780	6,885	6,885
Turning circle radius over outside bucket edge	kN 7,410	7,440	7,560	7,590
Breakout force (SAE)	kg 200	185	200	185
Tipping load, straight *	kg 17,100	16,650	20,150	19,700
Tipping load, fully articulated *	kg 15,000	14,550	17,750	17,300
Operating weight *	kg 24,800	24,950	28,050	28,200
Tyre size	26.5R25 L3		26.5R25 L3	

* The figures shown include the above tyres, all lubricants, a full fuel tank, the ROPS/FOPS cab and the operator. Different tyres and optional equipment will change the operating weight and tipping load. (Tipping load, fully articulated according to ISO 14397-1)

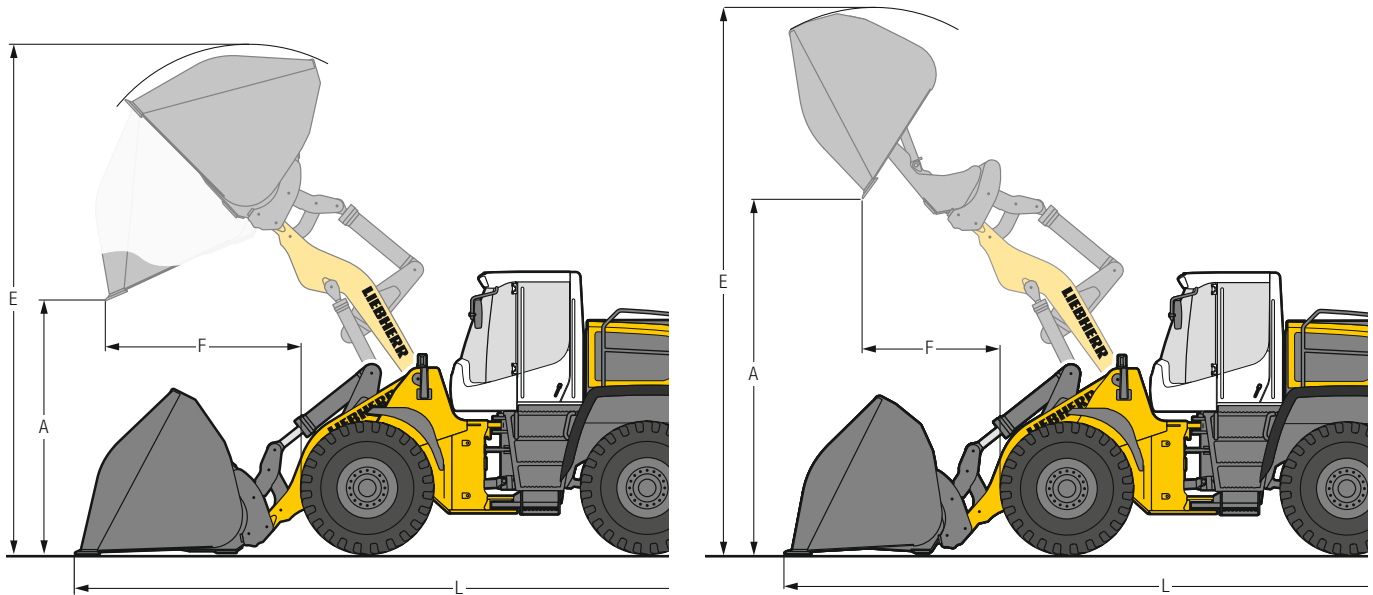
** Actual bucket capacity may be approx. 10% larger than the calculation according to ISO 7546 standard. The degree to which the bucket can be filled depends on the material – see pages 34 / 35.

IND-QH = Industrial lift arm with parallel guidance incl. quick hitch

T = Welded-on tooth holder with add-on teeth

Attachment

Light material bucket and High-Dump bucket



L 566 - L 586

Light material bucket

	L 566		L 580		L 586
	IND-QH	IND-QH	IND-QH	IND-QH	ZK
Geometry					ZK
Cutting tools	BOCE	BOCE	BOCE	BOCE	BOCE
Bucket capacity	6.5	12.0	7.5	14.0	8.5
Specific material density	1.0	0.45	1.0	0.45	1.1
Bucket width	3,200	3,700	3,400	4,000	3,500
A Dumping height at max. lift height	2,885	2,620	2,810	2,480	2,940
E Max. operating height	6,470	6,700	6,580	6,800	6,835
F Reach at maximum lift height	1,485	1,860	1,550	1,950	1,770
L Overall length	9,545	10,025	9,715	10,200	10,200
Tipping load, straight*	15,700	14,600	19,300	17,900	24,000
Tipping load, fully articulated*	13,700	12,600	16,900	15,500	21,000
Operating weight*	25,350	26,300	28,650	29,600	32,800
Tyre size	26.5R25 L3		26.5R25 L3		29.5R25 L3

High-Dump bucket

	L 566		L 580		L 586
	IND-QH	IND-QH	IND-QH	IND-QH	ZK
Geometry					ZK
Cutting tools	BOCE	BOCE	BOCE	BOCE	BOCE
Bucket capacity	6.0	11.0	7.0	13.0	8.5
Specific material density	1.0	0.45	1.0	0.45	1.0
Bucket width	3,200	3,700	3,200	4,000	3,500
A Dumping height at max. lift height	5,130	4,840	4,970	4,780	5,100
E Max. operating height	7,215	7,490	7,420	7,650	7,700
F Reach at maximum lift height	1,780	2,140	2,040	2,060	2,000
L Overall length	9,815	10,125	10,060	10,300	10,500
Tipping load, straight*	14,700	14,100	17,800	17,100	23,200
Tipping load, fully articulated*	12,700	12,100	15,500	14,800	20,300
Operating weight*	26,000	26,900	29,100	30,100	33,500
Tyre size	26.5R25 L3		26.5R25 L3		29.5R25 L3

* The figures shown include the above tyres, all lubricants, a full fuel tank, the ROPS / FOPS cab and the operator. Different tyres and optional equipment will change the operating weight and tipping load. (Tipping load, fully articulated according to ISO 14397-1)

IND-QH = Industrial lift arm with parallel guidance incl. quick hitch

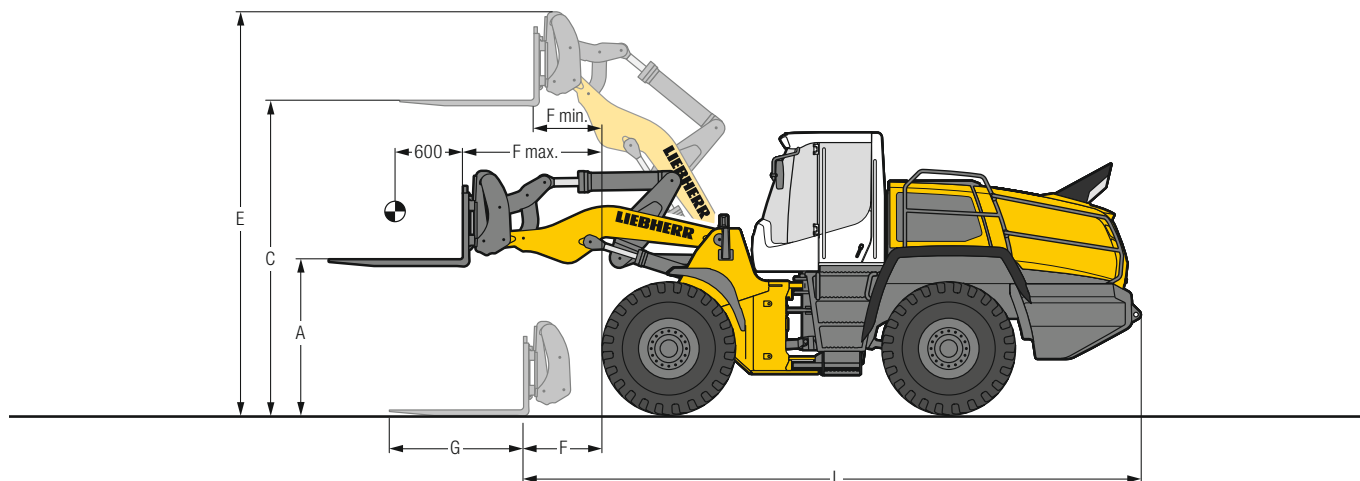
ZK = Z-bar linkage

BOCE = Bolt-on cutting edge

Attachment

Fork carrier and fork

L 566 – L 586



FEM IV fork carrier and fork

		L 566	L 580
Geometry		IND-QH	IND-QH
A	Lifting height at max. reach	2,075	2,075
C	Max. lifting height	4,220	4,220
E	Max. operating height	5,200	5,200
F	Reach at loading position	1,145	1,025
F max.	Max. reach	1,925	1,805
F min.	Reach at max. lifting height	980	860
G	Fork length	1,800	1,800
L	Length – basic machine	8,100	8,170
	Tipping load, straight*	13,500	16,300
	Tipping load, fully articulated*	11,900	14,400
	Recommended payload for uneven ground = 60% of tipping load, articulated ¹⁾	7,140	8,640
	Recommended payload for smooth surfaces = 80% of tipping load, articulated ¹⁾	9,520	10,000 ²⁾
	Operating weight*	23,950	26,900
	Tyre size	26.5R25 L3	26.5R25 L3

* The figures shown include the above tyres, all lubricants, a full fuel tank, the ROPS / FOPS cab and the operator. Different tyres and optional equipment will change the operating weight and tipping load.
(Tipping load, fully articulated according to ISO 14397-1)

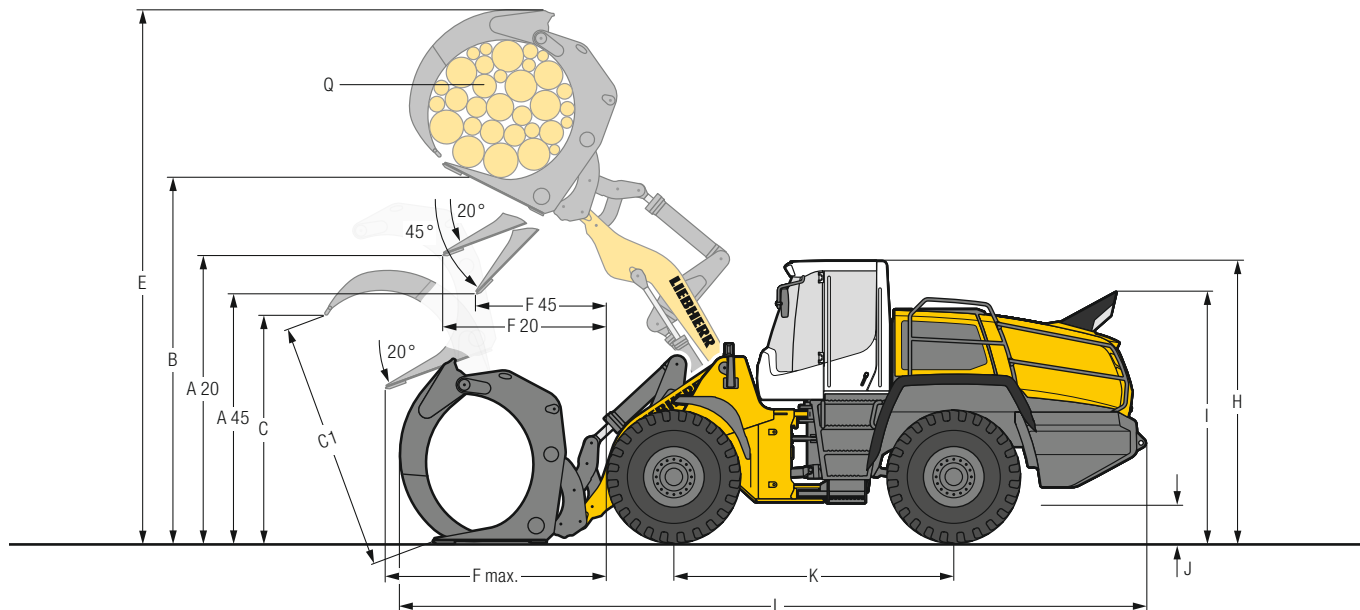
¹⁾ According to EN 474-3

²⁾ Payload is limited by FEM IV fork carrier and forks

IND-QH = Industrial lift arm with parallel guidance incl. quick hitch

Attachment

Log grapple



L 566 - L 586

Log grapple

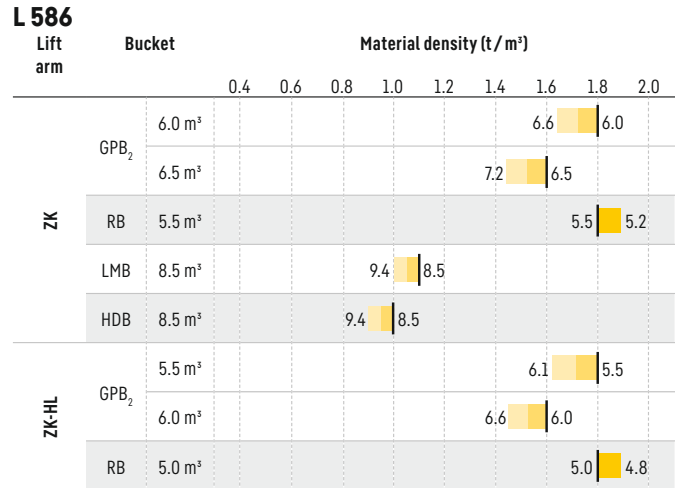
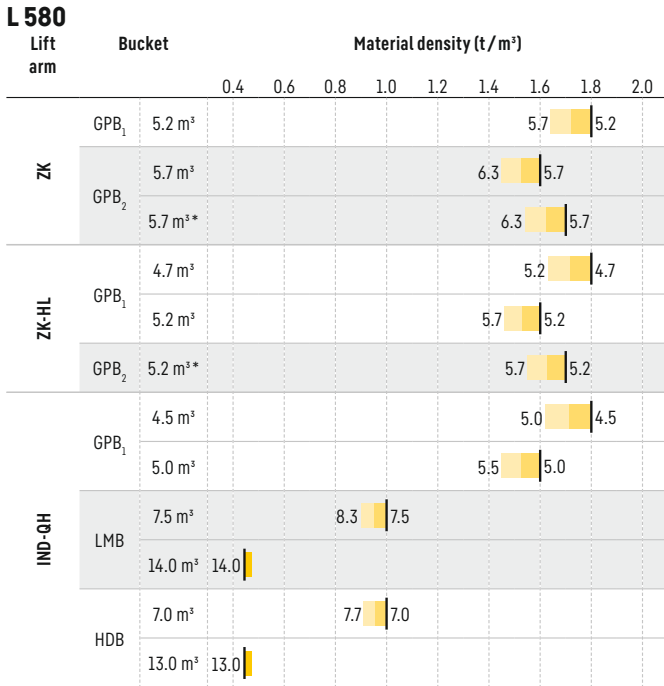
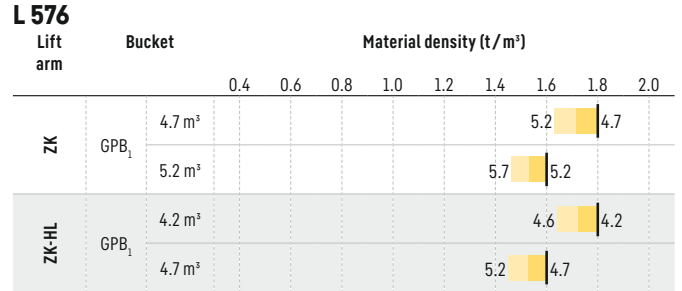
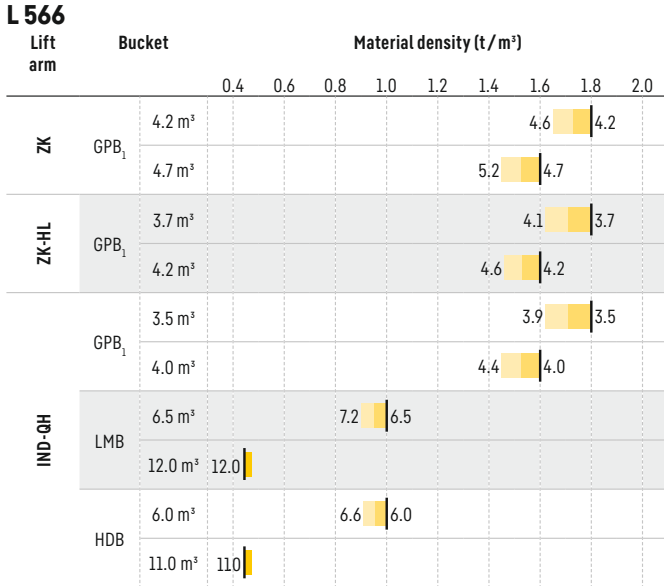
		L 566	L 580
Geometry		IND-QH	IND-QH
A20	Discharge height at 20°	3,570	3,520
A45	Discharge height at 45°	2,930	2,805
B	Manipulation height	5,125	5,125
C	Max. grapple opening in loading position	2,650	2,930
C1	Max. grapple opening	3,050	3,340
E	Max. height	7,400	7,500
F20	Reach at max. lifting height at 20° discharge	2,165	2,215
F45	Reach at max. lifting height at 45° discharge	1,620	1,625
F max.	Max. reach	3,110	3,160
H	Height above operator's cab	3,615	3,615
I	Height above exhaust	3,225	3,225
J	Ground clearance	555	485
K	Wheelbase	3,630	3,710
L	Overall length	9,810	10,050
Width over tyres		2,970	2,970
Q	Grapple diameter	3.1	3.5
Grapple width		1,800	1,800
Payload*		8,200	9,200
Operating weight*		26,950	29,850
Tyre size		26.5R25 L4	26.5R25 L4

* The figures shown include the above tyres, all lubricants, a full fuel tank, the ROPS / FOPS cab and the operator. Different tyres and optional equipment will change the operating weight and payload.

IND-QH = Industrial lift arm with parallel guidance incl. quick hitch

Bucket selection

L 566 – L 586



* Toothed buckets, hydraulic quick hitch and additional hydraulic circuits are not approved for rehandling application.

Bucket filling factor



110% 105% 100% 95%

Lift arm

ZK	Z-bar linkage, standard lift arm length
ZK-HL	Z-bar linkage, High Lift
IND-QH	Industrial lift arm with quick hitch, standard lift arm length

Bucket

GPB ₁	General purpose bucket (Excavation bucket)
GPB ₂	General purpose bucket (Rehandling bucket)
RB	Rock bucket
LMB	Light material bucket
HDB	High-dump bucket

Bulk material densities and bucket filling factors

		t/m ³	%
Gravel	moist	1.9	105
	dry	1.6	105
	crushed stone	1.5	100
Sand	dry	1.5	105
	wet	1.9	110
Gravel and Sand	dry	1.7	105
	wet	2.0	100
Sand / Clay		1.6	110
Clay	natural	1.6	110
	dry	1.4	110
Clay / Gravel	dry	1.4	110
	wet	1.6	100

		t/m ³	%
Earth	dry	1.3	115
	wet excavated	1.6	110
Topsoil		1.1	110
Basalt		1.95	100
Granite		1.8	95
Sandstone		1.6	100
Slate		1.75	100
Bauxite		1.4	100
Limestone		1.6	100
Gypsum	broken	1.8	100
Coke		0.5	110
Slag	broken	1.8	100

		t/m ³	%
Glass waste	broken	1.4	100
	solid	1.0	100
Compost	dry	0.8	105
	wet	1.0	110
Wood chips / Saw dust		0.5	110
Paper	shredded / loose	0.6	110
	recovered paper / cardboard	1.0	110
Coal	heavy material density	1.2	110
	light material density	0.9	110
Waste	domestic waste	0.5	100
	bulky waste	1.0	100

Tipping load



What is tipping load?

Load at centre of gravity of working equipment, so that the wheel loader just begins to tip over the front axle. This is the most unfavourable static-load position for the wheel loader. Lifting arms horizontal, wheel loader fully articulated at centre pivot.

Pay load.

The pay load must not exceed 50% of the tipping load when articulated. This is equivalent to a static stability-margin factor of 2.0.

Bucket capacity.

The bucket volume is determined from the pay load.

$$\text{Pay load} = \frac{\text{Tipping load, articulated}}{2}$$

$$\text{Bucket capacity} = \frac{\text{Pay load (t)}}{\text{Specific bulk weight of material (t/m}^3\text{)}}$$

Tyres



Tyre types

	Size and tread code		Change of operating weight kg	Width over tyres mm	Change in vertical dimensions* mm	Use
L 566 XPower®						
Bridgestone	26.5R25 VJT	L3	160	2,970	14	Bulk material (firm ground conditions)
Bridgestone	26.5R25 VLTS	L4	420	2,970	44	Gravel, Industry (firm ground conditions)
Bridgestone	26.5R25 VSDT	L5	1,038	2,970	50	Stone, Mining spoil (firm ground conditions)
Bridgestone	26.5R25 VSDL	L5	1,290	2,970	57	Stone, Scrap, Recycling (firm ground conditions)
Bridgestone	26.5R25 VSMS	L5	1,599	2,960	70	Scrap, Recycling, Slag (firm ground conditions)
Bridgestone	26.5R25 VSNT	L4	576	2,960	47	Gravel, Industry, Wood (firm ground conditions)
Bridgestone	750/65R25 VTS	L3	197	3,070	- 39	Gravel, Industry, Wood (all ground conditions)
Continental	26.5R25 EM-Master	L3	100	2,980	41	Bulk material (firm ground conditions)
Continental	26.5R25 EM-Master	L4	528	2,930	48	Gravel, Industry, Wood (firm ground conditions)
Goodyear	26.5R25 RT-3B	L3	324	2,980	26	Gravel (all ground conditions)
Goodyear	26.5R25 TL-3A+	L3	348	2,980	30	Sand, Gravel, Earthworks, Clay (all ground conditions)
Goodyear	26.5R25 GP-4D	L4	436	2,980	26	Gravel, Industry, Wood (firm ground conditions)
Goodyear	26.5R25 RL-4K	L4	776	2,990	63	Gravel, Industry, Stone (firm ground conditions)
Goodyear	26.5R25 RL-5K	L5	1,244	2,990	63	Stone, Scrap, Recycling (firm ground conditions)
Goodyear	26.5R25 RL-5S	L5	1,712	2,990	63	Scrap, Recycling, Slag (firm ground conditions)
Goodyear	26.5R25 RT-5D	L5	1,008	2,990	63	Stone, Mining spoil (firm ground conditions)
Goodyear	750/65R25 TL-3A+	L3	152	3,100	- 26	Sand, Gravel, Industry, Wood (all ground conditions)
Michelin	26.5R25 XHA2	L3	0	2,960	0	Sand, Gravel (all ground conditions)
Michelin	26.5R25 X MINE PRO	L5	1,188	3,010	58	Stone, Scrap, Recycling (firm ground conditions)
Michelin	26.5R25 XLD D2A	L5	696	2,970	38	Stone, Mining spoil (firm ground conditions)
Michelin	26.5R25 XTXL	L4	488	2,970	23	Gravel, Industry, Wood (firm ground conditions)
Michelin	750/65R25 XLD 65	L3T	- 4	3,060	- 57	Gravel, Industry, Wood (all ground conditions)
L 576 XPower® / L 580 XPower®						
Bridgestone	26.5R25 VJT	L3	160	2,970	14	Bulk material (firm ground conditions)
Bridgestone	26.5R25 VLTS	L4	420	2,970	44	Gravel, Industry (firm ground conditions)
Bridgestone	26.5R25 VSDT	L5	1,038	2,970	50	Stone, Mining spoil (firm ground conditions)
Bridgestone	26.5R25 VSDL	L5	1,290	2,970	57	Stone, Scrap, Recycling (firm ground conditions)
Bridgestone	26.5R25 VSMS	L5	1,599	2,960	70	Scrap, Recycling, Slag (firm ground conditions)
Bridgestone	26.5R25 VSNT	L4	576	2,960	47	Gravel, Industry, Wood (firm ground conditions)
Bridgestone	750/65R25 VTS	L3	178	3,070	- 39	Gravel, Industry, Wood (all ground conditions)
Continental	26.5R25 EM-Master	L3	100	2,980	41	Bulk material (firm ground conditions)
Continental	26.5R25 EM-Master	L4	528	2,980	48	Gravel, Industry, Wood (firm ground conditions)
Goodyear	26.5R25 RT-3B	L3	324	2,980	26	Gravel (all ground conditions)
Goodyear	26.5R25 TL-3A+	L3	348	2,980	30	Sand, Gravel, Earthworks, Clay (all ground conditions)
Goodyear	26.5R25 GP-4D	L4	436	2,980	26	Gravel, Industry, Wood (firm ground conditions)
Goodyear	26.5R25 RL-4K	L4	776	2,990	63	Gravel, Industry, Stone (firm ground conditions)
Goodyear	26.5R25 RL-5K	L5	1,244	2,990	63	Stone, Scrap, Recycling (firm ground conditions)
Goodyear	26.5R25 RL-5S	L5	1,712	2,990	63	Scrap, Recycling, Slag (firm ground conditions)
Goodyear	26.5R25 RT-5D	L5	1,008	2,990	63	Stone, Mining spoil (firm ground conditions)
Goodyear	750/65R25 TL-3A+	L3	132	3,100	- 26	Sand, Gravel, Industry, Wood (all ground conditions)
Michelin	26.5R25 XHA2	L3	0	2,960	0	Sand, Gravel (all ground conditions)
Michelin	26.5R25 X MINE PRO	L5	1,188	3,010	58	Stone, Scrap, Recycling (firm ground conditions)
Michelin	26.5R25 XLD D2A	L5	696	2,970	38	Stone, Mining spoil (firm ground conditions)
Michelin	26.5R25 XTXL	L4	488	2,970	23	Gravel, Industry, Wood (firm ground conditions)
Michelin	750/65R25 XLD 65	L3T	- 24	3,060	- 57	Gravel, Industry, Wood (all ground conditions)
L 586 XPower®						
Bridgestone	29.5R25 VJT	L3	146	3,260	15	Bulk material (firm ground conditions)
Bridgestone	29.5R25 VLTS	L4	406	3,270	40	Gravel, Stone (firm ground conditions)
Bridgestone	29.5R25 VSDT	L5	1,370	3,270	50	Stone, Mining spoil (firm ground conditions)
Bridgestone	29.5R25 VSDL	L5	1,730	3,270	60	Stone, Scrap, Recycling (firm ground conditions)
Bridgestone	29.5R25 VSNT	L4	712	3,270	50	Gravel, Industry, Wood (firm ground conditions)
Continental	29.5R25 EM-Master	L3	144	3,260	20	Bulk material (firm ground conditions)
Continental	29.5R25 EM-Master	L4	504	3,280	40	Gravel, Industry, Wood (firm ground conditions)
Goodyear	29.5R25 TL-3A+	L3	532	3,290	36	Sand, Gravel, Earthworks, Clay (all ground conditions)
Goodyear	29.5R25 GP-4D	L4	504	3,260	24	Gravel, Industry, Wood (firm ground conditions)
Goodyear	29.5R25 RL-4K	L4	1,124	3,270	44	Gravel, Industry, Stone (firm ground conditions)
Goodyear	29.5R25 RL-5K	L5	1,600	3,310	66	Stone, Scrap, Recycling (firm ground conditions)
Goodyear	29.5R25 RT-5D	L5	1,508	3,300	56	Stone, Mining spoil (firm ground conditions)
Goodyear	29.5R25 RL-5S	L5	2,100	3,270	66	Scrap, Recycling, Slag (firm ground conditions)
Michelin	29.5R25 XHA2	L3	0	3,250	0	Sand, Gravel (all ground conditions)
Michelin	29.5R25 XLD D2A	L5	936	3,260	26	Stone, Mining spoil (firm ground conditions)
Michelin	29.5R25 XTXL	L4	606	3,280	26	Gravel, Industry, Wood (firm ground conditions)
Michelin	29.5R25 X MINE PRO	L5	1,412	3,310	42	Stone, Scrap, Recycling (firm ground conditions)

* The stated values are theoretical and may deviate in practice.

Before operating the vehicle with tyre foam filling or tyre protection chains, please discuss this with the Liebherr-Werk Bischofshofen GmbH.

The Liebherr wheel loaders

Wheel loader



		L 504 Compact	L 506 Compact	L 507 Stereo	L 508 Compact	L 509 Stereo	L 514 Stereo
Tipping load	kg	3.000	3.500	3.750	3.900	4.430	5.750
Bucket capacity	m ³	0,7	0,8	0,9	1,0	1,2	1,5
Operating weight	kg	4.600	4.970	5.550	5.700	6.390	8.860
Engine output	kW / HP	34 / 46	47,5 / 64	50 / 68	47,5 / 64	54 / 73	76 / 103

Wheel loader



		L 518 Stereo	L 526	L 538	L 546	L 550 XPower®
Tipping load	kg	6,550	8,730	9,650	11,010	12,500
Bucket capacity	m ³	1,7	2,2	2,6	3,0	3,4
Operating weight	kg	9,190	13,170	14,520	15,410	18,550
Engine output	kW / HP	76 / 103	116 / 158	129 / 175	138 / 188	163 / 222

Wheel loader



		L 556 XPower®	L 566 XPower®	L 576 XPower®	L 580 XPower®	L 586 XPower®
Tipping load	kg	13,750	15,900	17,600	19,200	21,600
Bucket capacity	m ³	3,7	4,2	4,7	5,2	6,0
Operating weight	kg	19,600	23,900	25,700	27,650	32,600
Engine output	kW / HP	183 / 249	203 / 276	218 / 296	233 / 317	263 / 358

02.22

Environmental protection can help you earn money!



Always in fuel saving mode with the Liebherr fuel-saving calculator

100% power with up to 30 % less fuel consumption – the Liebherr fuel saving calculator shows how much fuel can be saved compared to similar machines. The online application is available free of charge and provides a quick and simple overview of fuel savings per year in euros. The calculation is based on average fuel consumption, operating hours per year and the current fuel price. The potential savings when operating a Liebherr wheel loader are impressive – see for yourself!

	Ø Litres / hour*
L 526: 2.1 m ³	6.3
L 538: 2.6 m ³	7
L 546: 2.8 m ³	7.3
L 550: 3.4 m ³	8.9
L 556: 3.7 m ³	9.9
L 566: 4.2 m ³	12.2
L 576: 4.7 m ³	12.8
L 580: 5.2 m ³	13.9
L 586: 6.0 m ³	16.6

* Wheel loader in practical customer applications with individual machine configurations. Average data from LiDAT from 24.08.2022.



Experience just how much fuel you can save!
www.encyplus.liebherr.com

Equipment



Basic wheel loader

	L 550	L 556	L 566	L 576	L 580	L 586
Crash protection, rear	+	+	+	+	+	+
Automatic central lubrication system	+	+	+	+	+	●
Battery main switch (lockable)	●	●	●	●	●	●
Electronic tractive force regulation for difficult ground conditions	●	●	●	●	●	●
Travel light (with additional headlights) on front section halogen	+	+	+	+	+	+
Travel light (with additional headlights) on front section LED	+	+	+	+	+	+
Ride control	●	●	●	●	●	●
Parking brake	●	●	●	●	●	●
Fire extinguisher 6 kg	+	+	+	+	+	+
Fluff trap for radiator	+	+	+	+	+	+
Speed limiter 20 km/h as a factory preset	+	+	+	+	+	+
Speed limiter V _{MAX} , adjustable key on the control unit	●	●	●	●	●	●
DEF tank	●	●	●	●	●	●
Turbocharger insulation	+	+	+	+	+	+
Pre-heat system for cold starting	●	●	●	●	●	●
Rear license panel light	+	+	+	+	+	+
Combined inching-braking system	●	●	●	●	●	●
Fuel pre-filter	●	●	●	●	●	●
Fuel pre-filter with pre-heating	+	+	+	+	+	+
Large-mesh radiator	+	+	+	+	+	-
Cooling water pre-heating 230 V	+	+	+	+	+	+
Multi-disc limited slip differentials in both axles	●	●	●	●	●	●
Liebherr biodegradable hydraulic oil	+	+	+	+	+	+
Liebherr SCR technology incl. diesel particle filter	●	●	●	●	●	●
Reversible fan drive	+	+	+	+	+	+
Automatic delayed engine stop	+	+	+	+	+	+
Widening for mudguard	+	+	+	+	+	+
Ramming guard with guard	+	+	+	+	+	-
Headlights halogen (double design on engine hood)	●	●	●	●	●	●
Headlights LED (double design on engine hood)	+	+	+	+	+	+
Guard for headlights	+	+	+	+	+	+
Auxiliary heater (Additional heating with engine preheating)	+	+	+	+	+	+
Dust protection for alternator	+	+	+	+	+	+
Road travel counterweight	●	●	+	-	-	-
Lockable doors and engine hood	●	●	●	●	●	●
Tunnel package	+	+	+	+	-	-
Chassis protection rear	+	+	+	+	+	+
Chassis protection front	+	+	+	+	+	+
Air pre-cleaner TOP AIR	+	+	+	+	+	+
Toolbox with toolkit	●	●	●	●	●	●
Liebherr weighing system with "Truck Payload Assist" (cannot be certified as a regulated weights and measure device)	+	+	+	+	+	+
Towing hitch	●	●	●	●	●	●
Additional handrails left	●	●	●	●	●	●
Additional handrails right	+	+	+	+	+	+



Equipment

	L 550	L 556	L 566	L 576	L 580	L 586
Working hydraulics lockout	●	●	●	●	●	●
Automatic bucket return programmable	●	●	●	●	●	●
Pressure relief for hydraulic additional function	+	+	+	+	+	+
Stroke limit damping	+	+	+	+	+	+
Fork carrier and pallet forks	+	+	+	+	+	+
High-dump bucket	+	+	+	+	+	+
Log grapple	+	+	-	+	+	-
Automatic lift arm position and lowering programmable	●	●	●	●	●	●
High Lift arms	+	+	+	+	+	+
Industrial lift arm	+	+	+	-	+	-
Lift arm Z-bar linkage	●	●	●	●	●	●
Hydraulic quick hitch	+	+	+	+	+	+
Hydraulic quick hitch LIKUFIX	+	+	+	+	+	-
Adjustable tipping speed	●	●	●	●	●	●
Tilt cylinder protection	+	+	+	+	+	+
Loading buckets incl. a range of cutting tools	+	+	+	+	+	+
Light material bucket	+	+	+	+	+	+
Pipe break protection	+	+	+	+	+	+
Bucket tilt assistant	+	+	+	+	+	+
Float position	●	●	●	●	●	●
Visualisation of the equipment position	●	●	●	●	●	●
1st electro-hydraulic, proportional additional function, adjustable delivery flow	+	+	+	+	+	+
1st additional electro-hydraulic function for continuous sweeper and snow blower operation	+	+	+	+	+	+
2nd electro-hydraulic, proportional additional function, adjustable delivery flow	+	+	+	+	+	-
2nd additional electro-hydraulic function for continuous sweeper and snow blower operation	+	+	+	+	+	-

Equipment



Operator's cab

	L 550	L 556	L 566	L 576	L 580	L 586
Adapter plate for additional fastening on the multi-function rail	+	+	+	+	+	+
Adaptive working lighting	+	+	+	+	+	+
Access assistance to facilitate cleaning windscreen	●	●	●	●	●	●
Exterior mirror, electrical adjustable, with heating	+	+	+	+	+	+
Exterior mirror, tiltable and adjustable	●	●	●	●	●	●
Operating hour meter (integrated in display unit)	●	●	●	●	●	●
Operating hour meter (mechanic)	+	+	+	+	+	+
Electronical theft protection with code	+	+	+	+	+	+
Electronical theft protection with key with/without driver identification	+	+	+	+	+	+
Storage box left	●	●	●	●	●	●
Operator's cab without steering wheel/ steering column (not available as street legal) – joystick steering only	+	+	+	+	+	+
Operator seat "Comfort" – pneumatic suspension with seat heating	●	●	●	●	●	●
Operator seat "Premium" – active air-suspension with seat air-condition, seat heating and headrest	+	+	+	+	+	+
Particle filter F7	●	●	●	●	●	●
Fire extinguisher in cab 2 kg	+	+	+	+	+	+
Rear window heated electrically	●	●	●	●	●	●
Audible horn control integrated into Liebherr control lever	+	+	+	+	+	+
Interior mirror right	●	●	●	●	●	●
Interior mirror left and right	+	+	+	+	+	+
Integrated tyre pressure monitoring system	+	+	+	+	+	+
Joystick steering	+	+	+	+	+	+
Floor mat	●	●	●	●	●	●
Clothes hooks (2 pieces)	●	●	●	●	●	●
Air conditioning system	●	●	●	●	●	●
Automatic air conditioning system	+	+	+	+	+	+
Cool box	+	+	+	+	+	+
3 way continuously adjustable steering column (height-adjustable, tilting, folding)	●	●	●	●	●	●
Steering stabilisation	●	●	●	●	●	●
LiDAT total use 1 year (for free)	●	●	●	●	●	●
Liebherr control lever with mini-joystick for 1st and 2nd electro-hydraulic, proportional additional function moving with operator's seat	+	+	+	+	+	+
Liebherr control lever moving with operator's seat (incl. kick down, travel direction)	●	●	●	●	●	●
Liebherr multi-lever control system moving with operator's seat (incl. kick down, travel direction)	+	+	+	+	+	+
Liebherr key with remote control incl. Coming Home / Leaving Home function	+	+	+	+	+	+
Premiumdisplay (Touchscreen), with height adjustment and tilting function	●	●	●	●	●	●
Preparation for radio installation	+	+	+	+	+	+
Radio Liebherr "Comfort" (USB / AUX / BLUETOOTH / handsfree set)	+	+	+	+	+	+
Radio Liebherr "Standard" (USB / AUX)	+	+	+	+	+	+



Operator's cab

	L 550	L 556	L 566	L 576	L 580	L 586
Amber beacon swiveling / fixed	+	+	+	+	+	+
Soundproof ROPS / FOPS cab	●	●	●	●	●	●
Bucket return with button integrated into Liebherr control lever	+	+	+	+	+	+
Wipe and wash system	●	●	●	●	●	●
Windscreen wiper single-sweep function with button	+	+	+	+	+	+
Headlights rear, single design, halogen / LED	+	+	+	+	+	+
Headlights rear, double design, LED	+	+	+	+	+	+
Headlights rear, triple design, LED	+	+	+	+	+	+
Headlights front, double design, halogen	●	●	●	●	●	●
Headlights front, double design, LED	+	+	+	+	+	+
Sliding window left/right	●	●	●	●	●	●
Slipcover for operator seat	+	+	+	+	+	+
Windscreen guard	+	+	+	+	+	+
Sunblind rear	+	+	+	+	+	+
Sunblind front	●	●	●	●	●	●
Power socket 12 V	●	●	●	●	●	●
Power socket USB	●	●	●	●	●	●
First aid kit	+	+	+	+	+	+
Preparation for protective ventilation and dust filtrating device	+	+	+	+	+	+
Wide angle mirror	+	+	+	+	+	+
Cigarette lighter	●	●	●	●	●	●
2-in-1 steering – changeable	+	+	+	+	+	-



Safety

	L 550	L 556	L 566	L 576	L 580	L 586
Active personnel detection at the rear	+	+	+	+	+	+
Roof camera for front area monitoring (with Liebherr camera via Liebherr display)	+	+	+	+	+	+
Country-specific versions	+	+	+	+	+	+
Emergency steering system	●	●	●	●	●	●
Reversing obstruction detector	+	+	+	+	+	+
Back-up alarm acoustic / visual	+	+	+	+	+	+
Rear space monitoring with camera (with Liebherr camera via Liebherr display)	●	●	●	●	●	●
Skyview 360°	+	+	+	+	+	+

- = Standard
- + = Option
- = not available

Further information can be found in the brochure "Assistance systems for wheel loaders" or you can find here:



Here you can download our wheel loader brochures:



The Liebherr Group



Global and independent: more than 70 years of success

Liebherr was founded in 1949 when, with the development of the world's first mobile tower crane, Hans Liebherr laid the foundations for a family business now employing nearly 50,000 people and comprising over 140 companies across every continent.

The parent company is Liebherr-International AG in Bulle, Switzerland, whose associates are exclusively members of the Liebherr family.

Leaders and pioneers

Liebherr is a pioneer and its forward-looking approach has seen it make important contributions to technology history over a wide variety of industries. Employees throughout the world continue to share the courage of the founder, sharing a passion to produce innovative products and a determination to provide world-leading equipment and machinery.

Diversified portfolio

The company is one of the world's biggest construction equipment manufacturers and provides high-quality, user-oriented products and services to sectors including: earthmoving, material handling, deep foundations, mining, mobile and crawler cranes, tower cranes, concrete production and distribution, maritime cranes, aerospace and transportation, gear technology and automation, refrigeration and freezing, components and hotels.

Customised care

Liebherr solutions are characterised by precision, implementation and longevity. The company is committed to technological excellence and to providing customers with solutions that match their needs exactly. That customer focus does not end with delivery of a product but continues through a comprehensive range of back-up and support services.

www.liebherr.com

Liebherr-Werk Bischofshofen GmbH

Postfach 49 · 5500 Bischofshofen, Austria · Phone +43 50809 1-0 · Fax +43 50809 11385
info.lbh@liebherr.com · www.liebherr.com · www.facebook.com/LiebherrConstruction