

---

# SBSes 8673

---

Side-by-Side combination  
Premium

# LIEBHERR

Freestanding



# SGNPes 4365

Freestanding freezer with NoFrost  
Premium



← 60 →

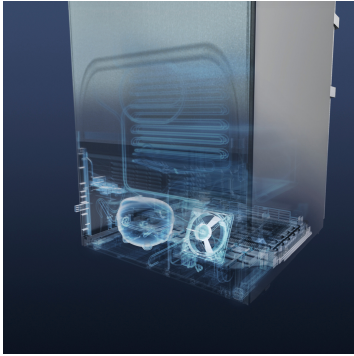


Energy consump. in 365 days/24 h	211 kWh <sup>1</sup>
Frequency / voltage	50/60 Hz / 220-240 V-
Connection Rating	1.3 A 248 W
Door / Side walls	SmartSteel / SmartSteel
Exterior dimensions in cm (h / w / d)	185 / 60 / 66.5 <sup>1</sup>
<b>Controls</b>	
Type of Control	2.4" TFT-colour display behind-the-door, touch electronic Digital temperature display
Door alarm	visual and acoustic
Alarm in case of malfunction	visual and acoustic
<b>Freezer compartment</b>	
Star coding	****
Interior light	LED lighting
Number of drawers	9 drawers, of which 5 set on telescopic rails, VarioSpace
IceMaker	with fixed 3/4" water connection
Ice cube capacity in 24 hours	0.8 kg
Ice cube stock	0.8 kg
Freezing capacity in 24 hours	9 kg
Temperature rise time	18 h
VarioSpace	yes
<b>Features</b>	
Side-by-Side concept	Side wall heating right, suitable for combination with other refrigerators, freezers and/or wine appliances
Door hinges	Reversible door hinge, left
EAN-Nr.	4016803051480

<sup>1</sup> To achieve the indicated energy consumption level, the wall spacers provided with the appliance must be used. These increase the appliance depth by approximately 1.5 cm. If the wall spacers are not used, the appliance will remain fully functional, but will have a slightly higher energy consumption level.

## Features

---



### BluPerformance

Offering even more interior capacity for food storage, economy and energy efficiency, quiet operation, ease-of-use and exceptional design: Liebherr's BluPerformance appliances set both a new direction in refrigeration and freezing, and new benchmarks.



### NoFrost

The NoFrost system from Liebherr provides rapid, fan-assisted, frost-free freezing for the safe, long-term storage of food. The NoFrost technology creates a much larger storage capacity and keeps the freezer constantly frost-free.



### IceMaker with fixed water connection

The plumbed-in IceMaker automatically keeps you topped up with the finest quality ice cubes so that you are prepared for every occasion.



### 2.4" colour display

The high-resolution, high-contrast 2.4" touchscreen display is integrated behind the door and enables accurate temperature settings.



### Drawers on smooth-running roller system

So that food can be conveniently accessed with minimal effort, even if the drawers are fully stocked, Premium BluPerformance freezer drawers are sited on smooth-running roller tracks. For convenient removal and storage of food, the top drawer tilts slightly downwards when opened – an especially helpful feature in taller appliances. The position and size of the bottom drawer make it ideal for storing ice cream, herbs or other small items.



### Handle with integrated opening mechanism

The sturdy, secure handles have an elegant, premium quality appearance and feature an integrated opening mechanism, which allows convenient and effortless door opening.



# SKBes 4350

Freestanding refrigerator with BioFresh Premium



← 60 →

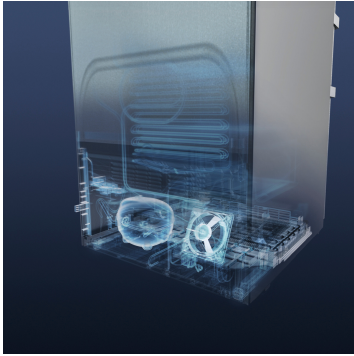


Energy consump. in 365 days/24 h	<b>194 kWh<sup>1</sup></b>
Frequency / voltage	<b>50/60 Hz / 220-240 V-</b>
Connection Rating	<b>1.2 A</b>
Door / Side walls	<b>SmartSteel / SmartSteel</b>
Exterior dimensions in cm (h / w / d)	<b>185 / 60 / 66.5<sup>1</sup></b>
<b>Controls</b>	
Type of Control	2.4" TFT-colour display behind-the-door, touch electronic Digital temperature display for fridge and BioFresh compartments
Door alarm	visual and acoustic
Alarm in case of malfunction	visual and acoustic
<b>Fridge compartment</b>	
Forced air system	PowerCooling with FreshAir activated charcoal filter
Door interior	Premium GlassLine storage shelves with bottle holder, VarioBoxes, adjustable egg tray
VarioSafe	yes
Bottle shelf	Variable bottle shelf
Interior light	LED ceiling lighting with dimmer function LED BioFresh lighting LED rear wall lighting
BioFresh-Safes	3 BioFresh safes with SoftTelescopic, of which 2 variably adjustable from Fruit & Vegetable safe to DrySafe
<b>Features</b>	
Side-by-Side concept	Side wall heating left, suitable for combination with other refrigerators, freezers and/or wine appliances
Door hinges	Reversible door hinging, right
EAN-Nr.	4016803051497

<sup>1</sup> To achieve the indicated energy consumption level, the wall spacers provided with the appliance must be used. These increase the appliance depth by approximately 1.5 cm. If the wall spacers are not used, the appliance will remain fully functional, but will have a slightly higher energy consumption level.

## Features

---



### BluPerformance

Offering even more interior capacity for food storage, economy and energy efficiency, quiet operation, ease-of-use and exceptional design: Liebherr's BluPerformance appliances set both a new direction in refrigeration and freezing, and new benchmarks.



### BioFresh

In the BioFresh compartments food retains its healthy vitamins, aroma and appetising appearance significantly longer than in a conventional fridge. Through its advanced technology the temperature is accurately kept at just above 0 °C.



### 2.4" colour display

The high-resolution, high-contrast 2.4" touchscreen display is integrated behind the door and enables accurate temperature settings.



### GlassLine

The distinctive GlassLine interior conveys build and finish quality. The shelves are made of safety glass. The sectioned, slide-under glass shelf lends itself to versatile use as it can be inserted at different heights, as required.



### Handle with integrated opening mechanism

The sturdy, secure handles have an elegant, premium quality appearance and feature an integrated opening mechanism, which allows convenient and effortless door opening.

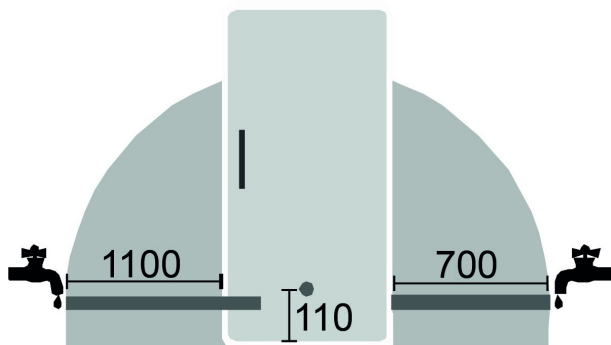
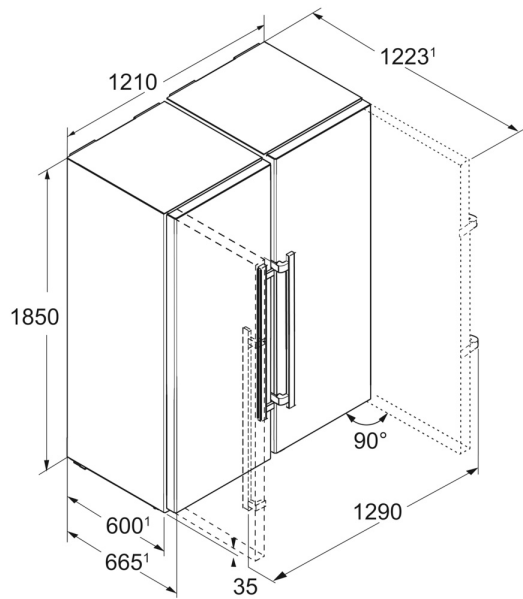


### LED rear panel lighting

The LED rear wall lighting is integrated into the rear section of the horizontal dividing shelf. Energy-efficient, environmentally friendly and maintenance-free LEDs optimally illuminate the back section of the Fridge compartment, from top to bottom and provide high-quality illumination.

# Technical drawing

---



SGNPes 4365

---

Products and their details are staged for advertising purposes. Whilst every effort is made to ensure all specifications and information in this flyer are accurate, Liebherr reserves the right to make changes without notification. Where actual appliance measurements, specifications, and ratings are crucial, we recommend that the actual appliance installation instructions that accompany each appliance be checked. Liebherr will not be liable for any damage. (11.02.2025)

